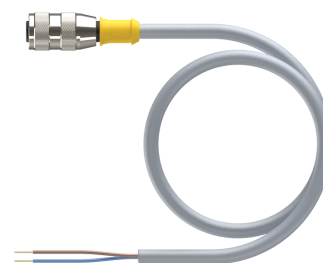
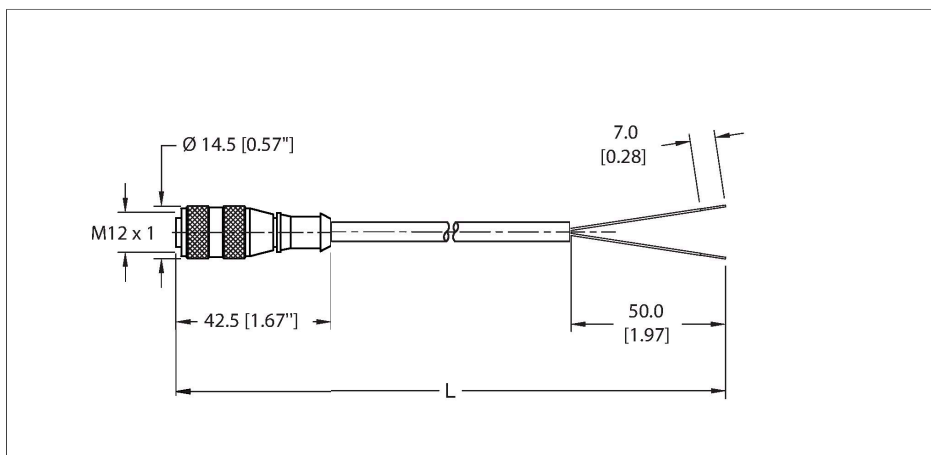


RK 4.23T-x

Actuator and Sensor Cable – Connection Cable



Technische Daten

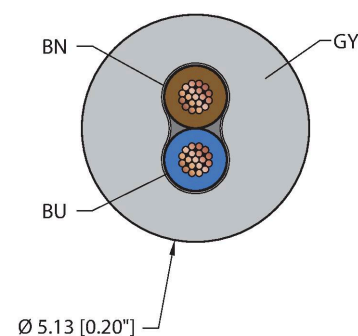
| | |
|---------------------------------|---|
| Type | RK 4.23T-x |
| ID | 777003734 |
| Connector A | Female, M12 × 1, Straight, A-code |
| Design specification | Acc. to IEC 61076-2-101 |
| Number of contacts | 4 |
| Contacts | Brass, CuZn, Gold-plated |
| Contact carriers | Plastic, Nylon or TPU, Black |
| Connector body | Plastic, TPU, Yellow |
| Coupling nut | Brass, CuZn, Nickel-plated |
| Connector seal | O-ring, Plastic, FKM/FPM |
| Tightening torque (range) | 0.8 ... 1 Nm (note max. torque of mating connector!) |
| Mechanical life | > 100 Mating cycles |
| Pollution degree | 3 |
| Protection class (When coupled) | IP68, IP69K NEMA: 1, 3, 4, 6P |
| Cable data | |
| Cable ID | RF50529 |
| Total number of conductors | 2 |
| Cable diameter | Ø 5.13 mm |
| Cable jacket | PVC, Gray |
| Conductor diameter | 0.061 " |
| Conductor material | TC (tinned copper) |
| Conductor insulation material | PVC |
| Conductor size | 2 x 20 AWG [Similar to 0.50 mm ²] |

Features



- M12, Female, Straight, 2-pin
- Instrumentation Tray Cable
- Gray PVC jacket, 2X20 AWG
- Sunlight Resistant
- -40 Cold Bend Rating
- Oil Resistant
- Flame Ratings: UL 1685 FT4, UL1061, CSA FT4
- Flexlife® and C-Track Approved

Cable cross section



Contact assignment

RK 4.23T-x | 21-02-2025 21-51 | Technische Änderungen vorbehalten

Technische Daten

| | |
|---|--|
| Number of strands x O.D. | 19 x 0.0073 " |
| Conductor colors | BN, BU |
| Electrical properties at +20 °C | |
| Rated voltage | 250 V |
| Current | 4 A |
| Mechanical and chemical properties | |
| Bending radius (static) | ≥ 5 x Ø |
| Bending radius (dynamic) | ≥ 10 x Ø |
| UL cold bend rating | -40 °C |
| Flex rating 20 x Ø | 10 million cycles |
| | *When properly installed @ 20°C, 50%RH, and a cycle speed of ≤0.5 cycles per second. |
| C-Track | Yes |
| Ambient temperature range (static) | -40...+105 °C |
| Ambient temperature range (dynamic) | 5...+105 °C |
| Temperature range (installation) | -10...+105 °C |
| Approval | |
| Approvals | UL 2238 CSA C22.2 No. 182.3 CE UKCA RoHS |

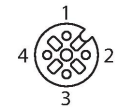
| | |
|-------------|--|
| Note | - Flex ratings may be reduced if used in extreme temperatures, exposure to certain chemicals, operating above the rated cycle speed, or operating below the rated cable bend radius. |
| | - We reserve the right to make technical alterations without prior notice. |

Montagezubehör

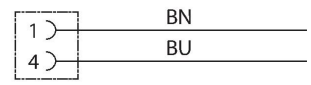
TORQUE-WRENCH-SET-M12-LEGACY A900153

Adjustable torque driver to connect to a Ø15mm knurl. Compatible with the redesigned and legacy M12 cordsets. Includes (1) adjustable torque driver, (1) adjustment tool, (1) 1/4" square to 4mm hex adaptor bit, and (1) Ø15mm spring loaded clamp bit

Connector A



Circuit Diagram



RK 4.23T-x | 21-02-2025 21-51 | Technische Änderungen vorbehalten

Montagezubehör

M12-CORDSETS-MOUNTING-CLIP-(10/BAG)**100016882**

10 Pack of black mounting clips and M4x8mm mounting screws, used to secure cable to cable connection points.