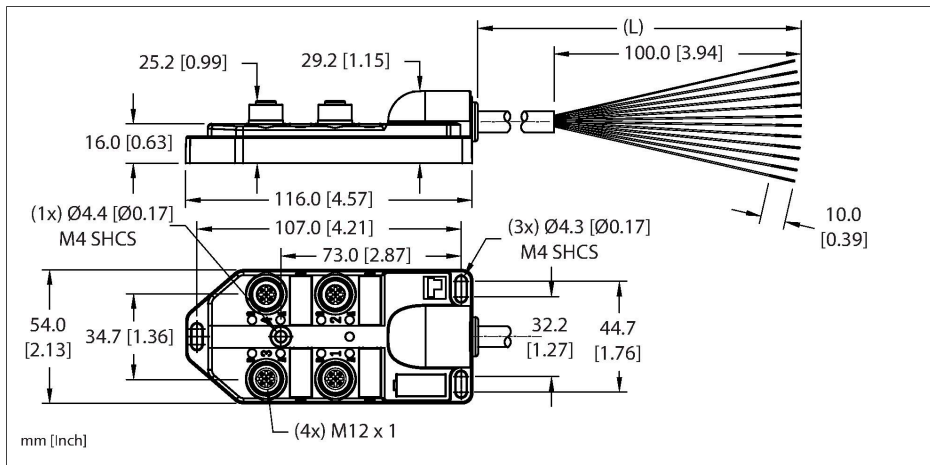


4MB12Z-5-*

Passive Actuator/Sensor Box, M12 × 1 – 4-port, with homerun cable,



Technical data

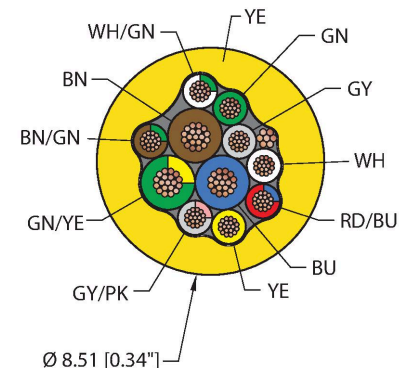
Type	4MB12Z-5-*
ID	777003736
Distributed I/O	Junction box, 4 -port, with integral homerun cable
Housing	Plastic, PA6-GF30, Black
I/O Port	Female, M12 × 1
Number of contacts	4+PE
Contacts	Brass, CuZn, Gold-plated
Contact carriers	Plastic, PA 4.6 GF30, Black
Connector seal	O-ring, Plastic, FKM/FPM
Housing material/finish	Brass, CuZn, Nickel-plated
Tightening torque (range)	0.8 ... 1 Nm
Mechanical life	> 100 Mating cycles
Pollution degree	3
Protection class (When coupled)	IP68, IP69K
Homerun connector	Cable, Side exit
Cable data	
Cable ID	RF50624
Total number of conductors	11
Cable diameter	Ø 8.51 mm
Cable jacket	PVC, Yellow
Shielding	Aluminum/polyester (IN), 22 AWG TC (Tinned Copper)

Features



- Housing material: Nylon
- Housing color: Black
- Fully encapsulated
- Protection class: IP67, IP68, IP69, IP69K; NEMA 1, 3, 4, 6P, 12
- RoHS compliant
- CE compliant
- I/O port: 5-pin
- Instrumentation Tray Cable
- Yellow PVC jacket, shielded, 3X18+8X22 AWG
- Sunlight Resistant
- -40 Cold Bend Rating
- Oil Resistant
- Flame Ratings: UL 1685 FT4, UL1061, CSA FT4

Cable cross section



4MB12Z-5-* | 11/21/2025 18-47 | technical changes reserved

Technical data

Conductor diameter	0.076 "
Conductor material	TC (tinned copper)
Conductor insulation material	PVC
Conductor size	3 x 18 AWG [Similar to 0.75 mm ²]
Number of strands x O.D.	19 x 0.0092 "
Conductor diameter	0.048
Conductor insulation material	SR-PVC
Conductor size	8x 22 AWG [Similar to 0.34 mm ²]
Number of strands x O.D. (2)	19 x0.0058 mm
Conductor colors	BN, BU, GN/YE, BN/GN, WH/GN, GN, GY, WH, RD/BU, YE, GY/PK

Electrical properties at +20 °C

Rated voltage	60 VDC
Current	2 A per signal contact, total current 6 A

Mechanical and chemical properties

Bending radius (static)	≥ 5 x Ø
Bending radius (dynamic)	≥ 15 x Ø
UL cold bend rating	-40 °C
Ambient temperature range (static)	-40...+85 °C
Ambient temperature range (dynamic)	-40...+105 °C
Temperature range (installation)	-20...+105 °C

Approval

Approvals	UL Listed CE UKCA RoHS
-----------	---------------------------------

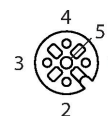
Note

- Flex ratings may be reduced if used in extreme temperatures, exposure to certain chemicals, operating above the rated cycle speed, or operating below the rated cable bend radius.

- We reserve the right to make technical alterations without prior notice.

Contact assignment

I/O Connector



Circuit Diagram

