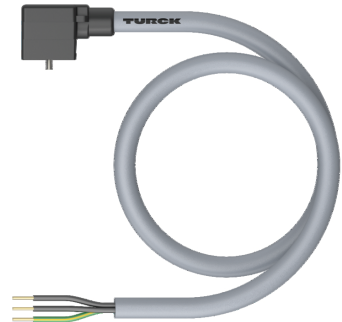
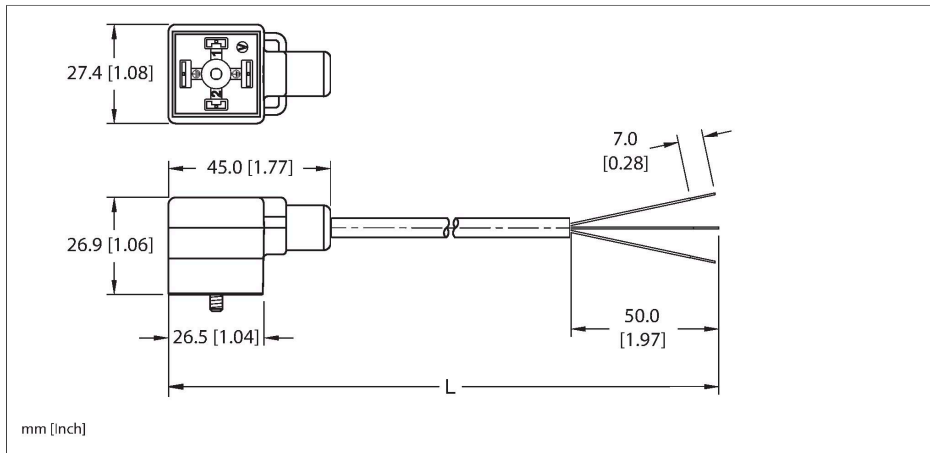


# VAS 22-E653-\*M

## Valve Connector, A Type – Connection Cable



### Technical data

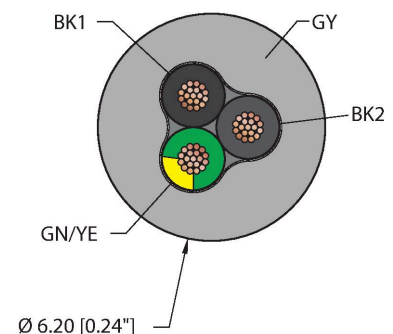
Type	VAS 22-E653-*M
ID	777004195
Connector A	Female, Valve form A (18mm), Right angle
Number of contacts	2+PE
Contacts	Metal, CuSn, Silver-plated
Contact carriers	Plastic, PA, Black
Connector body	Plastic, TPU, Black/Translucent
Connector seal	Plastic, TPU
Signal Indicator	LED, Yellow
Mechanical life	> 100 Mating cycles
Pollution degree	3
Protection class (When coupled)	IP65, IP67, IP68, (mounted) NEMA: 1, 3, 4, 6P
Cable data	
Cable ID	RF50653
Total number of conductors	3
Cable diameter	Ø 6.2 mm
Cable jacket	PVC, Gray
Conductor diameter	0.076 "
Conductor material	TC (tinned copper)
Conductor insulation material	PVC
Conductor size	3 x 18 AWG [Similar to 0.75 mm <sup>2</sup> ]
Number of strands x O.D.	19 x 0.0092 "
Conductor colors	BK1, BK2, GNYE

### Features



- Type-A 18mm, Female, Right angle, 4-pin
- Valve connector, 2-pin + PE, bridged
- With protective circuitry
- With LED
- Protection class: NEMA 1, 3, 4, 6P; IEC IP67
- Instrumentation Tray Cable
- Gray PVC jacket, 3X18 AWG
- Sunlight Resistant
- -40 Cold Bend Rating
- Oil Resistant
- Flame Ratings: UL 1685 FT4, UL1061, CSA FT4

### Cable cross section

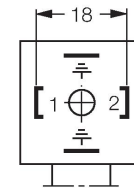


### Contact assignment

## Technical data

Electrical properties at +20 °C	
Rated voltage	110... 220 VAC/DC
Current	4 A
Mechanical and chemical properties	
Bending radius (static)	≥ 5 x Ø
Bending radius (dynamic)	≥ 10 x Ø
UL cold bend rating	-40 °C
Ambient temperature range (static)	-40...+105 °C
Ambient temperature range (dynamic)	-40...+105 °C
Temperature range (installation)	-20...+105 °C
Mounting screw	Brass, CuZn, nickel-plated
Approval	
Approvals	CE RoHS
Note	
	- Flex ratings may be reduced if used in extreme temperatures, exposure to certain chemicals, operating above the rated cycle speed, or operating below the rated cable bend radius.
	- We reserve the right to make technical alterations without prior notice.

Connector A



Circuit Diagram

