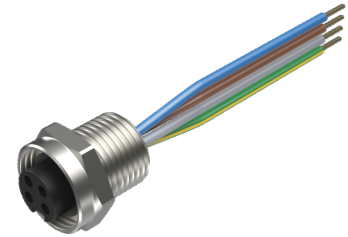
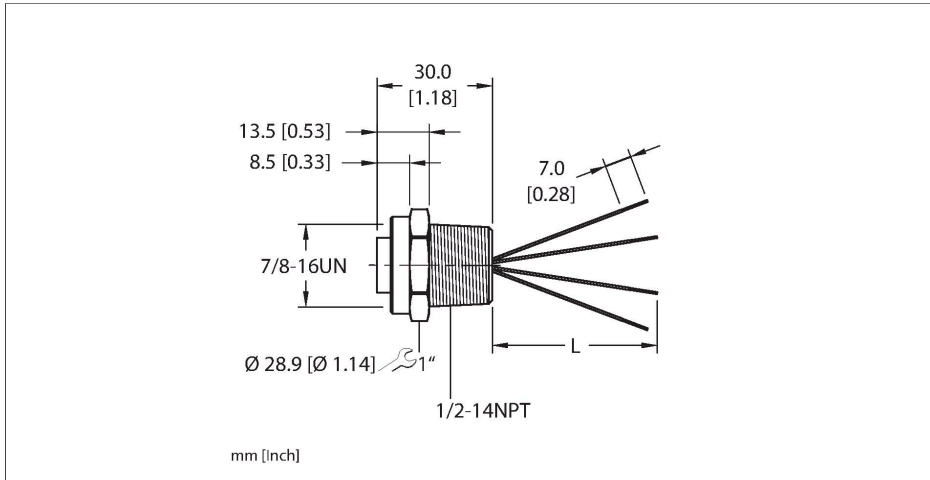


# P-RKFV 40D-\*/14.5/NPT

## Hazardous Location Receptacle – Front Mount



### Technical data

Type	P-RKFV 40D-*/14.5/NPT
ID	777004289
Connector A	Female, 7/8"-16 UN
Number of contacts	4
Contacts	Brass, CuZn, Gold-plated
Contact carriers	Plastic, TPU, Black
Housing material/finish	Stainless Steel, 1.4401 (AISI 316), Passivated
Tightening torque	2 Nm
Mounting orientation	Front mount
Mounting thread	1/2"-14 NPT
Receptacle mounting torque	3.5...10.2 Nm
Mechanical life	> 100 Mating cycles
Pollution degree	3
Protection class (When coupled)	IP67, IP68, IP69, IP69K
	NEMA: 1, 3, 4, 4X, 6P, 12
Total number of conductors	4
Conductor material	TC (tinned copper)
Conductor insulation material	PVC
Conductor size	18 AWG [Similar to 0.75 mm <sup>2</sup> ]
Conductor colors	BU, BN, GY, GNYE
<b>Electrical properties at +20 °C</b>	
Rated voltage	600 V
Current	9 A

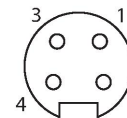
### Features



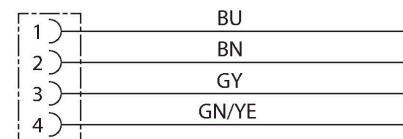
- 7/8" minifast, Female, Receptacle, 4-pin
- Mounting thread: 1/2"-14 NPT

### Contact assignment

Connector A



### Circuit Diagram



Technical data

Mechanical and chemical properties

Ambient temperature range (static)	-40...+105 °C
Approvals	UL 2238 UL Div. 2 FM Div.2 CSA Div. 2 CSA C22.2 No. 182.3 CE RoHS

Note

- CAUTION: RISK OF ELECTRICAL SHOCK. DO NOT DISCONNECT UNDER LOAD.

- We reserve the right to make technical alterations without prior notice.

Front panel mounting

