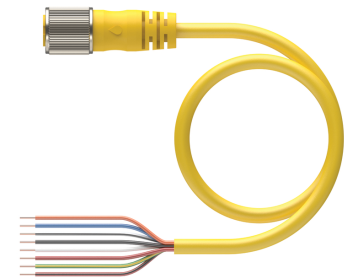
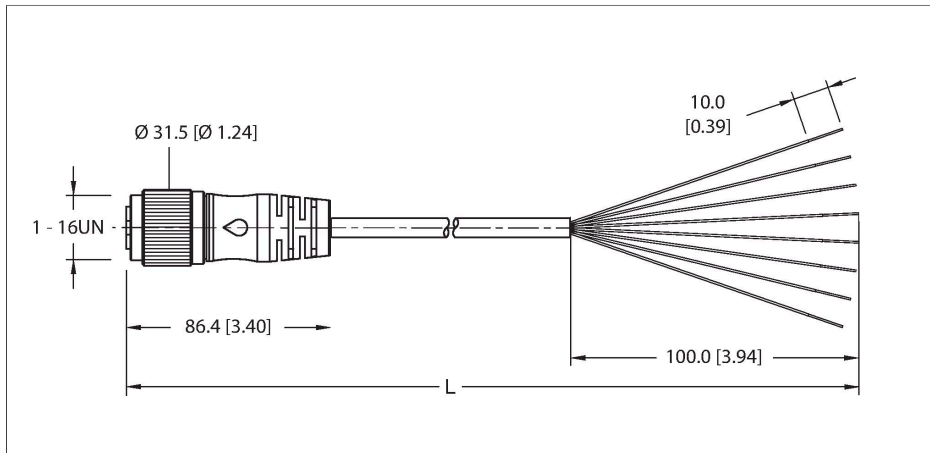


RKM 86-xM/S101

Actuator and Sensor Cable – Connection Cable



Technische Daten

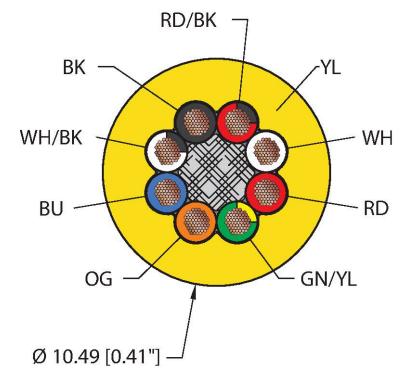
Type	RKM 86-xM/S101
ID	777006453
Connector A	Female, 1"-16 UN, Straight
Number of contacts	8
Contacts	Brass, CuZn, Gold-plated
Contact carriers	Plastic, TPU, Yellow
Connector body	Plastic, TPU, Yellow
Coupling nut	Brass, CuZn, Nickel-plated
Mechanical life	> 100 Mating cycles
Protection class (When coupled)	IP67, IP68, IP69, IP69K
	NEMA: 1, 3, 4, 6P, 12
Cable data	
Cable ID	RF51050
Total number of conductors	8
Cable diameter	Ø 10.49 mm
Cable jacket	TPE, Yellow
Conductor diameter	0.082 "
Conductor material	BC (bare copper)
Conductor insulation material	TPC-ET
Conductor size	8 x 16 AWG [Similar to 1.50 mm ²]
Number of strands x O.D.	65 x 34 AWG
Conductor colors	OG, BU, WH/BK, BK, WH, RD, GN/YE, RD/BK

Features



- 1" Female, Straight, 8-pin
- Yellow TPE jacket, 8X16 AWG
- -40 Cold Bend Rating
- Flame Ratings: UL1061, CSA FT1
- Flexlife® and C-Track Approved

Cable cross section

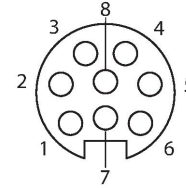


Contact assignment

Technische Daten

Electrical properties at +20 °C	
Rated voltage	600 V
Current	8 A
Mechanical and chemical properties	
Bending radius (static)	≥ 5 x Ø
Bending radius (dynamic)	≥ 10 x Ø
Torsion rating	Max. 20 million
UL cold bend rating	-40 °C
Flex rating 10 x Ø	20 million cycles
	*When properly installed @ 20°C, 50%RH, and a cycle speed of ≤0.5 cycles per second.
C-Track	Yes
Ambient temperature range (static)	-40...+105 °C
Ambient temperature range (dynamic)	5...+105 °C
Temperature range (installation)	-10...+105 °C
Approval	
Approvals	CE RoHS UL Listed UL 2238
Note	
	- Flex ratings may be reduced if used in extreme temperatures, exposure to certain chemicals, operating above the rated cycle speed, or operating below the rated cable bend radius.
	- We reserve the right to make technical alterations without prior notice.

Connector A



Circuit Diagram

1	OG
2	BU
3	WH/BK
4	BK
5	WH
6	RD
7	GN/YE
8	RD/BK