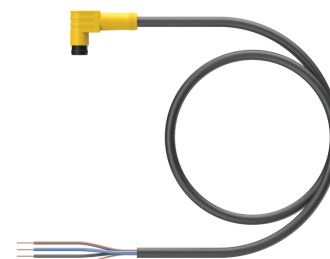
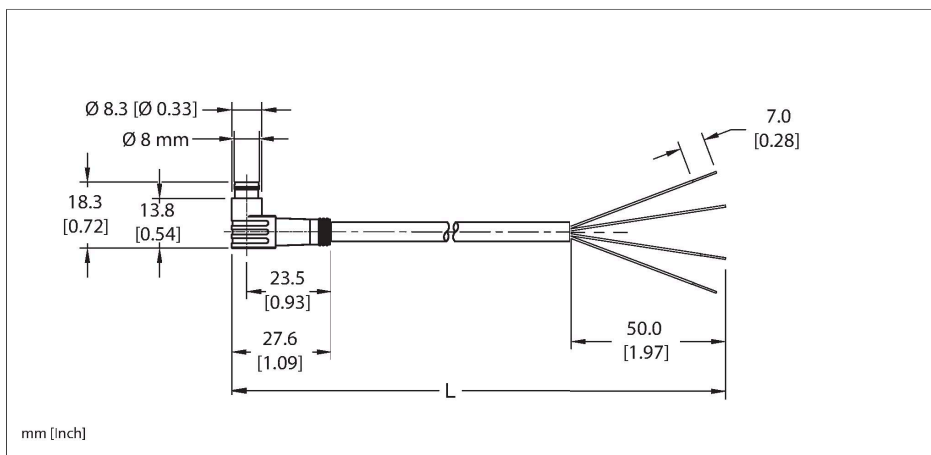


PSW 3-x/S90/S618

Actuator and Sensor Cable – Connection Cable



Technische Daten

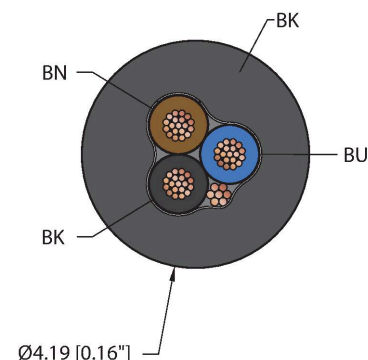
Type	PSW 3-x/S90/S618
ID	777009618
Special version	S90 = TPU cable jacket S618 = Cable with foil shield and drain. Drain not connected.
Connector A	Male, M8 - Ø 8 mm (snap), Right angle
Design specification	Acc. to IEC 61076-2-104
Number of contacts	3
Contacts	Brass, CuZn, Gold-plated
Contact carriers	Plastic, Nylon or TPU, Black
Connector body	Plastic, TPU, Yellow
Mechanical life	> 100 Mating cycles
Pollution degree	3
Protection class (When coupled)	IP67
	NEMA: 1, 3, 4, 6P
Cable data	
Cable ID	RF50601
Total number of conductors	3
Cable diameter	Ø 4.19 mm
Cable jacket	TPU, Black
Shielding	Aluminum/polyester (IN), 26 AWG, TC (Tinned Copper)
Conductor diameter	0.044 "
Conductor material	TC (tinned copper)
Conductor insulation material	PVC

Features



- M8, Male, Right-angle, 3-pin
- Snap-on Connector
- General Purpose Cable
- Black TPU jacket, shielded, 3X24 AWG
- -40 Cold Bend Rating
- Flame Ratings: UL1061, CSA FT1

Cable cross section



Contact assignment

PSW 3-x/S90/S618 | 21-02-2025 23-56 | Technische Änderungen vorbehalten

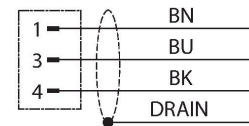
Technische Daten

Conductor size	3 x 24 AWG [Similar to 0.25 mm ²]
Number of strands x O.D.	19 x 36 AWG
Conductor colors	BN, BU, BK
Electrical properties at +20 °C	
Rated voltage	125 VAC/DC
Current	4 A
Mechanical and chemical properties	
Bending radius (static)	≥ 5 x Ø
Bending radius (dynamic)	≥ 15 x Ø
UL cold bend rating	-40 °C
Ambient temperature range (static)	-40...+90 °C
Ambient temperature range (dynamic)	5...+90 °C
Temperature range (installation)	-10...+90 °C
Approval	
Approvals	UL 2238 CSA C22.2 No. 182.3 CE UKCA RoHS

Connector A



Circuit Diagram



Note

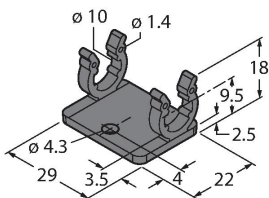
- Flex ratings may be reduced if used in extreme temperatures, exposure to certain chemicals, operating above the rated cycle speed, or operating below the rated cable bend radius.

- We reserve the right to make technical alterations without prior notice.

Montagezubehör

M8-CORDSETS-MOUNTING-CLIP-(10/BAG)

200005995



10 Pack of black mounting clips and M4x8mm mounting screws, used to secure cable to cable connection points.