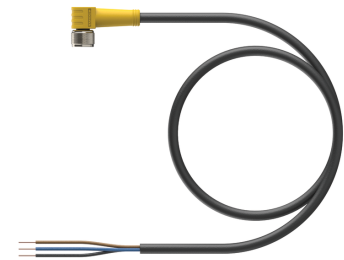
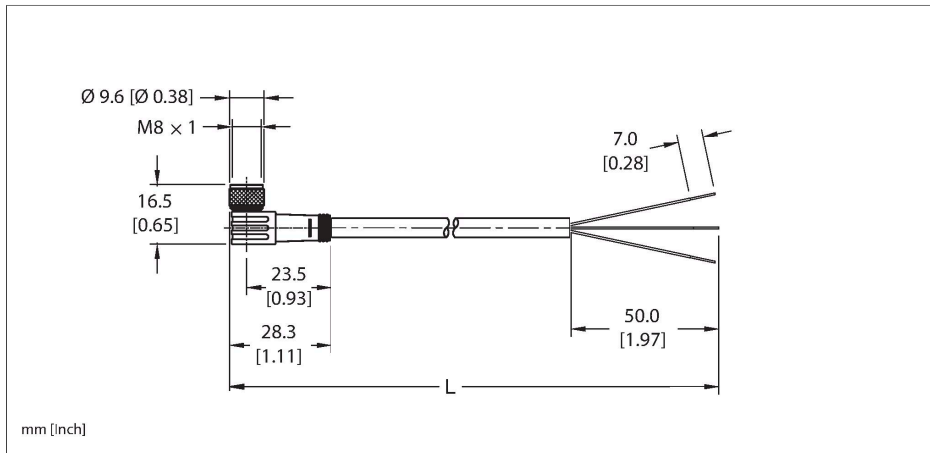


PKW 3M-x/S90/S101

Actuator and Sensor Cable – Connection Cable



Technische Daten

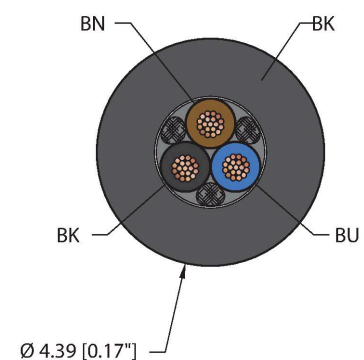
Type	PKW 3M-x/S90/S101
ID	777009629
Special version	S90 = TPU cable jacket S101 = Flexlife - High flex cable
Connector A	Female, M8 x 1, Right angle
Design specification	Acc. to IEC 61076-2-104
Number of contacts	3
Contacts	Brass, CuZn, Gold-plated
Contact carriers	Plastic, Nylon or TPU, Black
Connector body	Plastic, TPU, Yellow
Coupling nut	Brass, CuZn, Nickel-plated
Connector seal	O-ring, Plastic, FKM/FPM
Tightening torque (range)	0.4 ... 0.8 Nm (note max. torque of mating connector!)
Mechanical life	> 100 Mating cycles
Pollution degree	3
Protection class (When coupled)	IP67
	NEMA: 1, 3, 4, 6P
Cable data	
Cable ID	RF51166
Total number of conductors	3
Cable diameter	Ø 4.39 mm
Cable jacket	TPU, Black
Conductor diameter	0.042 "
Conductor material	TC (tinned copper)

Features



- M8, Female, Right-angle, 3-pin
- Threaded Connector
- TPU jacket, Black, 3X24 AWG
- -40 Cold Bend Rating
- Flame Ratings: UL1061, CSA FT1
- Flexlife® and C-Track Approved

Cable cross section



Contact assignment

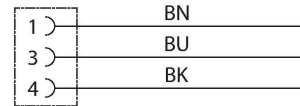
Technische Daten

Conductor insulation material	TPC-ET
Conductor size	3 x 24 AWG [Similar to 0.25 mm ²]
Number of strands x O.D.	19 x 36 AWG
Conductor colors	BN, BU, BK
Electrical properties at +20 °C	
Rated voltage	125 VAC/DC
Current	4 A
Mechanical and chemical properties	
Bending radius (static)	≥ 5 x Ø
Bending radius (dynamic)	≥ 10 x Ø
Torsion rating	Max. 20 million
UL cold bend rating	-40 °C
Flex rating 10 x Ø	20 million cycles
	*When properly installed @ 20°C, 50%RH, and a cycle speed of ≤0.5 cycles per second.
C-Track	Yes
Ambient temperature range (static)	-40...+90 °C
Ambient temperature range (dynamic)	5...+90 °C
Temperature range (installation)	-10...+90 °C
Approval	
Approvals	UL 2238 CSA C22.2 No. 182.3 CE UKCA RoHS
Note	
	- Flex ratings may be reduced if used in extreme temperatures, exposure to certain chemicals, operating above the rated cycle speed, or operating below the rated cable bend radius.
	- We reserve the right to make technical alterations without prior notice.

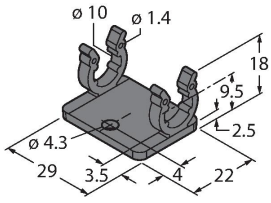
Connector A



Circuit Diagram



Montagezubehör

M8-CORDESETS-MOUNTING-CLIP-(10/BAG)**200005995**

10 Pack of black mounting clips and M4x8mm mounting screws, used to secure cable to cable connection points.