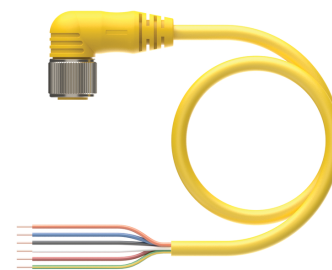
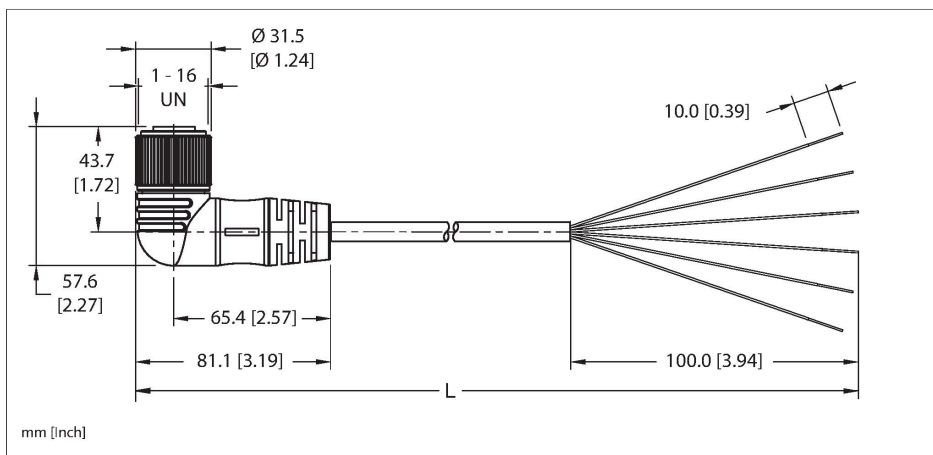


WKM 6B6-xM/S90

Actuator and Sensor Cable – Connection Cable



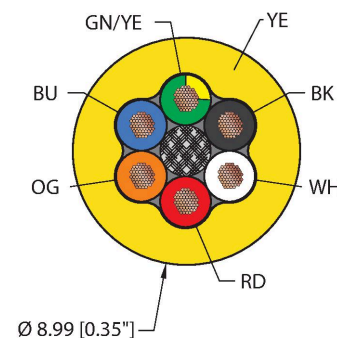
Technische Daten

Type	WKM 6B6-xM/S90
ID	777009687
Special version	S90 = TPU cable jacket
Connector A	Female, 1"-16 UN, Right angle
Number of contacts	6
Contacts	Brass, CuZn, Gold-plated
Contact carriers	Plastic, TPU, Yellow
Connector body	Plastic, TPU, Yellow
Coupling nut	Brass, CuZn, Nickel-plated
Connector seal	O-ring, Plastic, FKM/FPM
Tightening torque	1 Nm
Mechanical life	> 100 Mating cycles
Pollution degree	3
Protection class (When coupled)	IP67, IP68, IP69, IP69K NEMA: 1, 3, 4, 6P, 12
Cable data	
Cable ID	RF51137
Total number of conductors	6
Cable diameter	Ø 8.99 mm
Cable jacket	TPU, Yellow
Conductor diameter	0.088 "
Conductor material	TC (tinned copper)
Conductor insulation material	PVC
Conductor size	6 x 16 AWG [Similar to 1.50 mm ²]

Features

-
- 1" Female, Right-angle, 6-pin
- General Purpose Cable
- Yellow TPU jacket, 6X16 AWG
- -40 Cold Bend Rating
- Flame Ratings: UL1061, CSA FT1

Cable cross section

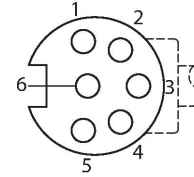


Contact assignment

Technische Daten

Number of strands x O.D.	65 x 34 AWG
Conductor colors	OG, BU, BK, WH, RD, GN/YE
Electrical properties at +20 °C	
Rated voltage	600 VAC/DC
Current	8 A
Mechanical and chemical properties	
Bending radius (static)	≥ 5 x Ø
Bending radius (dynamic)	≥ 10 x Ø
UL cold bend rating	-40 °C
Ambient temperature range (static)	-40...+90 °C
Ambient temperature range (dynamic)	5...+90 °C
Temperature range (installation)	-10...+90 °C
Approval	
Approvals	UL 2238 CE RoHS
Note	
	- Flex ratings may be reduced if used in extreme temperatures, exposure to certain chemicals, operating above the rated cycle speed, or operating below the rated cable bend radius.
	- We reserve the right to make technical alterations without prior notice.

Connector A



Circuit Diagram

