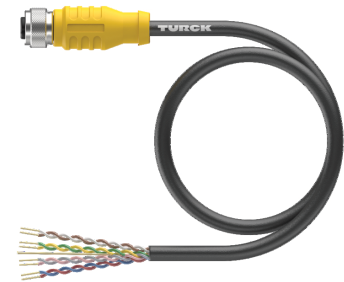
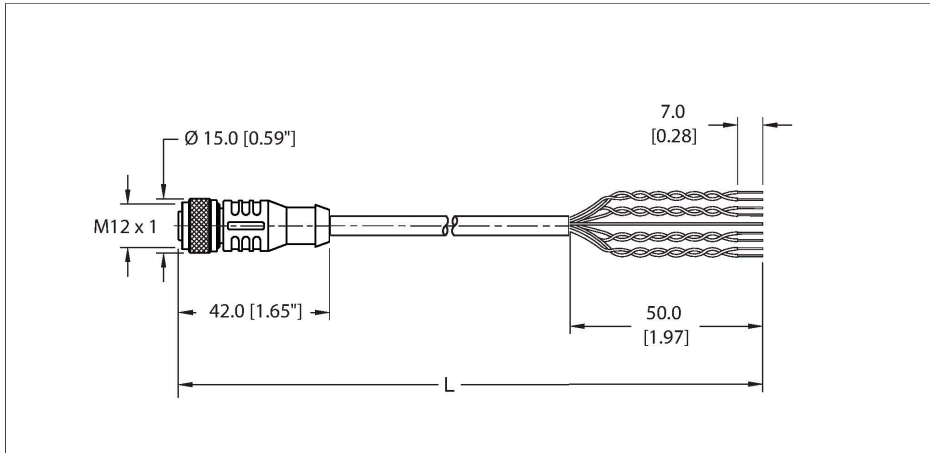


E-RKC 8T-264-*

Actuator and Sensor Cable – Connection Cable



Technical data

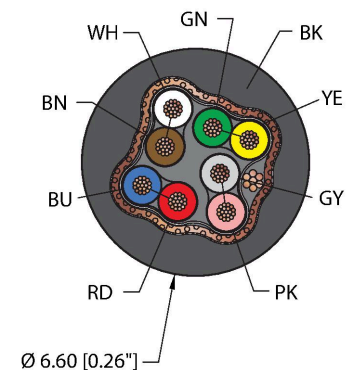
Type	E-RKC 8T-264-*
ID	777012270
Connector A	Female, M12 × 1, Straight, A-code
Design specification	Acc. to IEC 61076-2-101
Number of contacts	8
Contacts	Brass, CuZn, Gold-plated
Contact carriers	Plastic, Nylon or TPU, Black
Connector body	Plastic, TPU, Yellow
Coupling nut	Brass, CuZn, Nickel-plated
Connector seal	O-ring, Plastic, FKM/FPM
Tightening torque (range)	0.8 ... 1 Nm (note max. torque of mating connector!)
Mechanical life	> 100 Mating cycles
Pollution degree	3
Protection class (When coupled)	IP68, IP69K NEMA: 1, 3, 4, 6P
Cable data	
Cable ID	RF51264
Total number of conductors	8
Cable diameter	Ø 6.6 mm
Cable jacket	PVC, Black
Shielding	38 AWG, TC (Tinned Copper), 65% coverage, 24 AWG, TC (Tinned Copper)
Conductor material	TC (tinned copper)
Conductor colors	GN, YE, GY, PK, RD, BU, BN, WH

Features



- M12, Female, Straight, 8-pin
- Shielded Twisted Pair
- General Purpose Cable
- Black PVC jacket, shielded, 4STPX24 AWG
- -40 Cold Bend Rating
- Flame Ratings: UL1061, CSA FT1

Cable cross section



Contact assignment

Technical data

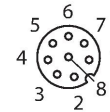
Description of assembly	STP (Shielded Twisted Pair)
Number of pairs	4
Conductor diameter	0.038 "
Conductor insulation material	SR-PVC
Assembly foil	Foil (OUT)
Cable conductor cross-section	2x24 AWG [Similar to 0.25 mm ²]
Number of strands x O.D.	19x0.005 "
Electrical properties at +20 °C	
Rated voltage	60 V _{AC} /75 V _{DC}
Current	2 A
Mechanical and chemical properties	
Bending radius (static)	≥ 5 x Ø
Bending radius (dynamic)	≥ 15 x Ø
UL cold bend rating	-40 °C
Ambient temperature range (static)	-40...+105 °C
Ambient temperature range (dynamic)	-40...+105 °C
Temperature range (installation)	-20...+105 °C
Approval	
Approvals	UL 2238 CSA C22.2 No. 182.3 CE UKCA RoHS

Note

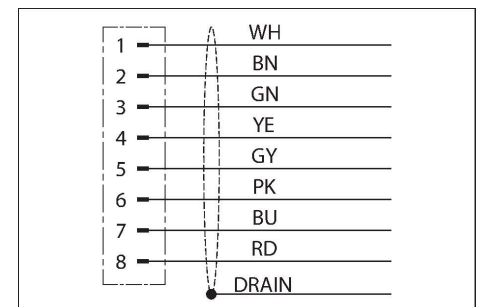
- Flex ratings may be reduced if used in extreme temperatures, exposure to certain chemicals, operating above the rated cycle speed, or operating below the rated cable bend radius.

- We reserve the right to make technical alterations without prior notice.

Connector A

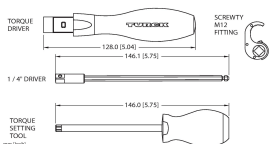


Circuit Diagram



Accessories

TORQUE-WRENCH-SET-M12-LEGACY A900153



Adjustable torque driver to connect to a Ø15mm knurl. Compatible with the redesigned and legacy M12 cordsets. Includes (1) adjustable torque driver, (1) adjustment tool, (1) 1/4" square to 4mm hex adaptor bit, and (1) Ø15mm spring loaded clamp bit

Accessories

M12-CORDSETS-MOUNTING-CLIP-(10/BAG)**100016882**

10 Pack of black mounting clips and M4x8mm mounting screws, used to secure cable to cable connection points.