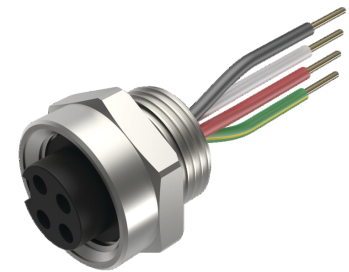
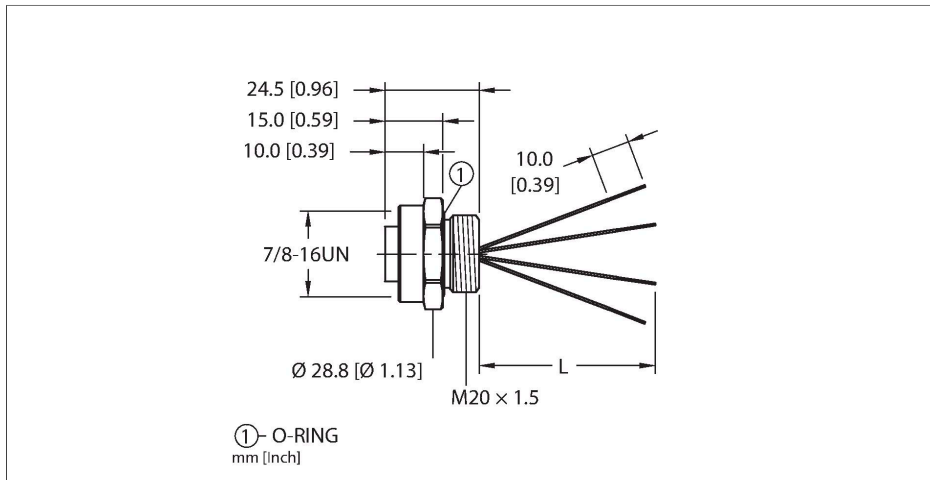


RKF 46-xM/M20

Actuator and Sensor Receptacle – Front Mount



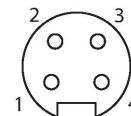
Features



- 7/8" minifast, Female, Receptacle, 4-pin
- Mounting thread: M20 × 1.5

Contact assignment

Connector A



Circuit Diagram



Technische Daten

Type	RKF 46-xM/M20
ID	777012455
Connector A	Female, 7/8"-16 UN
Number of contacts	4
Contacts	Brass, CuZn, Gold-plated
Contact carriers	Plastic, TPU, Black
Housing material/finish	Brass, CuZn, Nickel-plated
Tightening torque (range)	3.5 ... 10.2 Nm (note max. torque of mating connector!)
Mounting orientation	Front mount
Panel seal	O-ring, Plastic, NBR
Mounting thread	M20 × 1.5
Receptacle mounting torque	3.5...10.2 Nm
Mechanical life	> 100 Mating cycles
Pollution degree	3
Protection class (When coupled)	IP67, IP68, IP69, IP69K NEMA: 1, 3, 4, 6P, 12
Total number of conductors	4
Conductor material	TC (tinned copper)
Conductor insulation material	PVC
Conductor size	16 AWG [Similar to 1.50 mm ²]
Conductor colors	BK, WH, RD, GN/YE
Electrical properties at +20 °C	
Rated voltage	600 V

Technische Daten

Current 10 A

Mechanical and chemical properties

Ambient temperature range (static) -40...+105 °C

Approvals
 UL 2238
 CSA C22.2 No. 182.3
 CE
 RoHS

Note

- We reserve the right to make technical alterations without prior notice.

Front panel mounting

