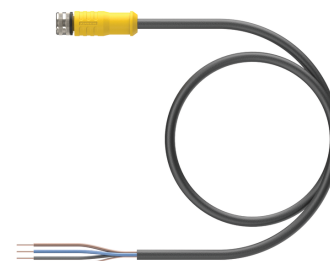
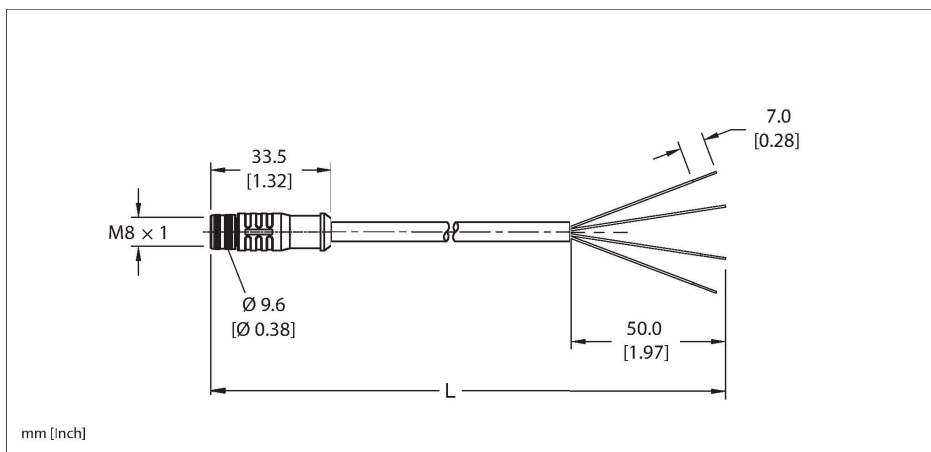


# PKGS 3M-x/S90

## Actuator and Sensor Cable – Connection Cable



### Technische Daten

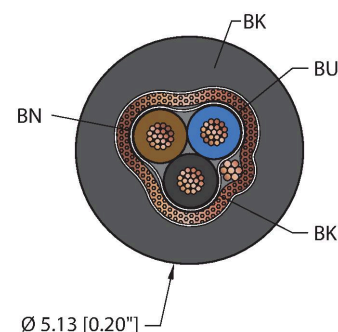
Type	PKGS 3M-x/S90
ID	777016224
Special version	S90 = TPU cable jacket
Connector A	Female, M8 × 1, Straight
Design specification	Acc. to IEC 61076-2-104
Number of contacts	3
Contacts	Brass, CuZn, Gold-plated
Contact carriers	Plastic, Nylon or TPU, Black
Connector body	Plastic, TPU, Yellow
Coupling nut	Brass, CuZn, Nickel-plated
Connector seal	O-ring, Plastic, FKM/FPM
Tightening torque (range)	0.4 ... 0.8 Nm (note max. torque of mating connector!)
Mechanical life	> 100 Mating cycles
Pollution degree	3
Protection class (When coupled)	IP67
<b>Cable data</b>	
Cable ID	RF51423
Total number of conductors	3
Cable diameter	Ø 5.13 mm
Cable jacket	TPU, Black
Shielding	Aluminum/polyester (OUT), 38 AWG, TC (Tinned Copper), 65% coverage, 26 AWG, TC (Tinned Copper)
Conductor diameter	0.05 "

### Features



- M8, Female, Straight, 3-pin
- Threaded Connector
- Shielded to coupling nut
- General Purpose Cable
- Black TPU jacket, shielded, 3X24 AWG
- -40 Cold Bend Rating
- Flame Ratings: UL1061, CSA FT1

### Cable cross section



### Contact assignment

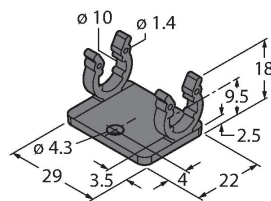
## Technische Daten

Conductor material	TC (tinned copper)
Conductor insulation material	PVC
Conductor size	3 x 24 AWG [Similar to 0.25 mm <sup>2</sup> ]
Number of strands x O.D.	19 x 36 AWG
Conductor colors	BU, BK, BN
<b>Electrical properties at +20 °C</b>	
Rated voltage	125 VAC/DC
Current	4 A
<b>Mechanical and chemical properties</b>	
Bending radius (static)	≥ 5 x Ø
Bending radius (dynamic)	≥ 15 x Ø
UL cold bend rating	-40 °C
Ambient temperature range (static)	-40...+90 °C
Ambient temperature range (dynamic)	5...+90 °C
Temperature range (installation)	-10...+90 °C
<b>Approval</b>	
Approvals	UL 2238 CSA C22.2 No. 182.3 CE UKCA RoHS

<b>Note</b>	
	- Flex ratings may be reduced if used in extreme temperatures, exposure to certain chemicals, operating above the rated cycle speed, or operating below the rated cable bend radius.
	- We reserve the right to make technical alterations without prior notice.

## Montagezubehör

**M8-CORDESETS-MOUNTING-CLIP-(10/BAG)      200005995**



10 Pack of black mounting clips and M4x8mm mounting screws, used to secure cable to cable connection points.

Connector A



## Circuit Diagram

