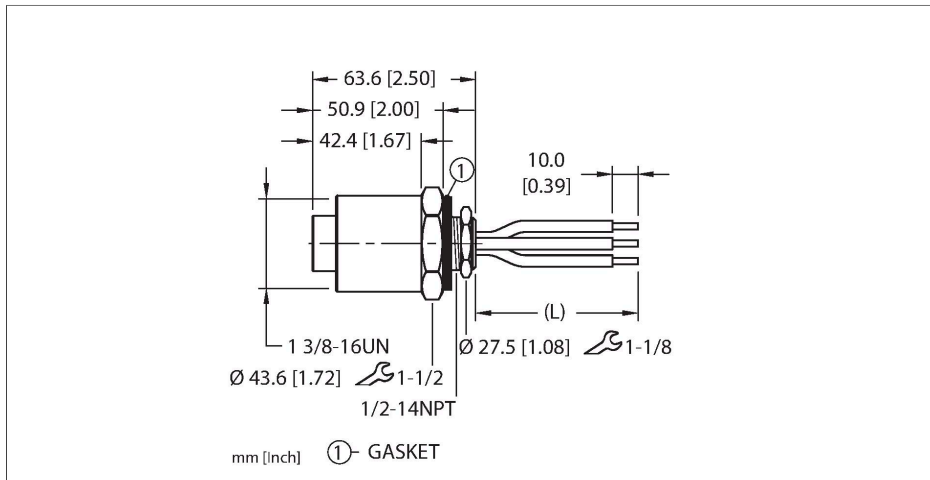


# GKDF 32-xM/14.5/NPT

## Power Receptacle – Front Mount



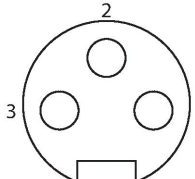
### Features



- Female 1 3/8" powerfast Receptacle, 3 pin
- Mounting thread: 1/2"-14 NPT

### Contact assignment

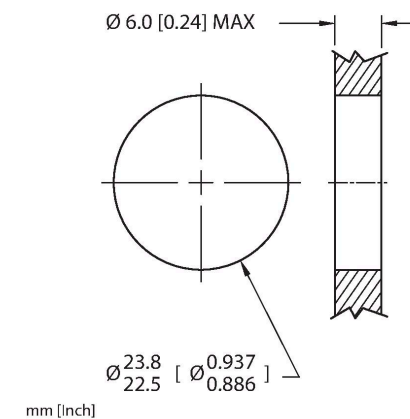
Connector A



### Circuit Diagram



### Mounting hole - Through



### Technische Daten

|  |   |
|--|---|
| Type                                   | GKDF 32-xM/14.5/NPT                                     |
| ID                                     | 777018337   |
| Connector A                            | Female, 1 3/8"-16 UN                                    |
| Number of contacts                     | 3   |
| Contacts                               | Brass, CuZn, Gold-plated                                |
| Contact carriers                       | Plastic, PVC, Black                                     |
| Housing material/finish                | Brass, CuZn, Nickel-plated                              |
| Tightening torque (range)              | 0.8 ... 2 Nm<br>(note max. torque of mating connector!) |
| Mounting orientation                   | Front mount   |
| Panel seal                             | Gasket  |
| Mounting thread                        | 1/2"-14 NPT   |
| Locknut                                | Brass, CuZn, Nickel-plated                              |
| Mechanical life                        | > 100 Mating cycles                                     |
| Pollution degree                       | 3   |
| Protection class (When coupled)        | IP67, IP68, IP69K                                       |
|  | NEMA: 1, 3, 4, 6P                                       |
| Total number of conductors             | 3   |
| Conductor material                     | TC (tinned copper)                                      |
| Conductor insulation material          | PVC   |
| Conductor size                         | 12 AWG [Similar to 4.00 mm <sup>2</sup> ]               |
| Conductor colors                       | BK, WH, GN/YE   |
| <b>Electrical properties at +20 °C</b> |   |
| Rated voltage                          | 600 V   |

## Technische Daten

Current 30 A

### Mechanical and chemical properties

Ambient temperature range (static) -40...+105 °C

Approvals  
CE  
RoHS  
UL 2237

### Note

- CAUTION: RISK OF ELECTRICAL SHOCK. DO NOT DISCONNECT UNDER LOAD.

- We reserve the right to make technical alterations without prior notice.

## Front panel mounting

