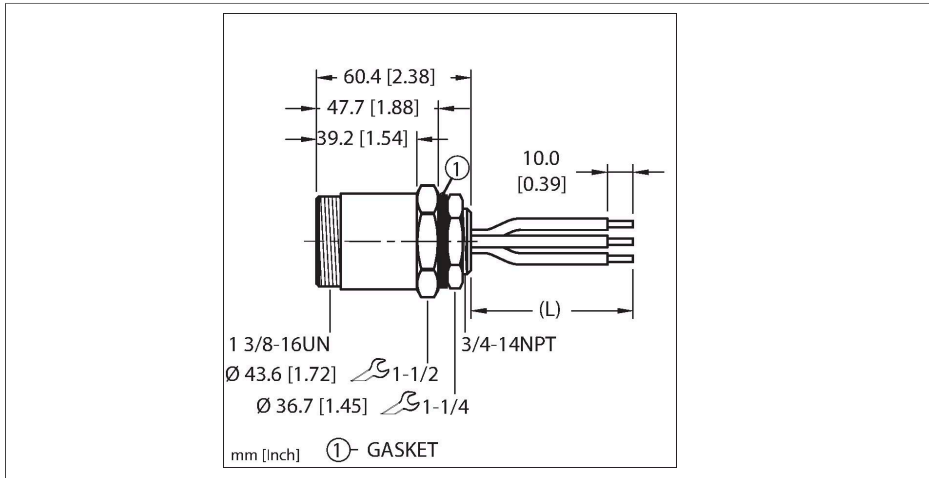


# GSDF 30-xM/14.75/NPT Power Receptacle – Front Mount



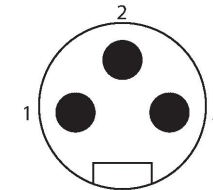
## Features



- Male 1 3/8" powerfast Receptacle, 3 pin
- Mounting thread: 1/2"-14 NPT

## Contact assignment

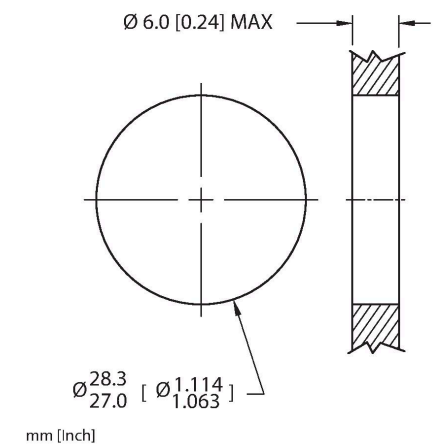
Connector A



## Circuit Diagram



## Mounting hole - Through



## Technische Daten

Type	GSDF 30-xM/14.75/NPT
ID	777020495
Connector A	Male, 1 3/8"-16 UN
Number of contacts	3
Contacts	Brass, CuZn, Gold-plated
Contact carriers	Plastic, PVC, Black
Housing material/finish	Brass, CuZn, Nickel-plated
Tightening torque (range)	0.8 ... 2 Nm (note max. torque of mating connector!)
Mounting orientation	Front mount
Panel seal	Gasket
Mounting thread	3/4"-14 NPT
Locknut	Brass, CuZn, Nickel-plated
Mechanical life	> 100 Mating cycles
Pollution degree	3
Protection class (When coupled)	IP67, IP68, IP69K
	NEMA: 1, 3, 4, 6P
Total number of conductors	3
Conductor material	TC (tinned copper)
Conductor insulation material	PVC
Conductor size	10 AWG [Similar to 6.00 mm <sup>2</sup> ]
Conductor colors	BK, WH, GN/YE
<b>Electrical properties at +20 °C</b>	
Rated voltage	600 V

## Technische Daten

Current	40 A
<b>Mechanical and chemical properties</b>	
Ambient temperature range (static)	-40...+105 °C
Approvals	CE RoHS UL 2237
<b>Note</b>	
	- CAUTION: RISK OF ELECTRICAL SHOCK. DO NOT DISCONNECT UNDER LOAD.
	- We reserve the right to make technical alterations without prior notice.

## Front panel mounting

