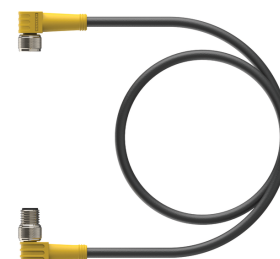
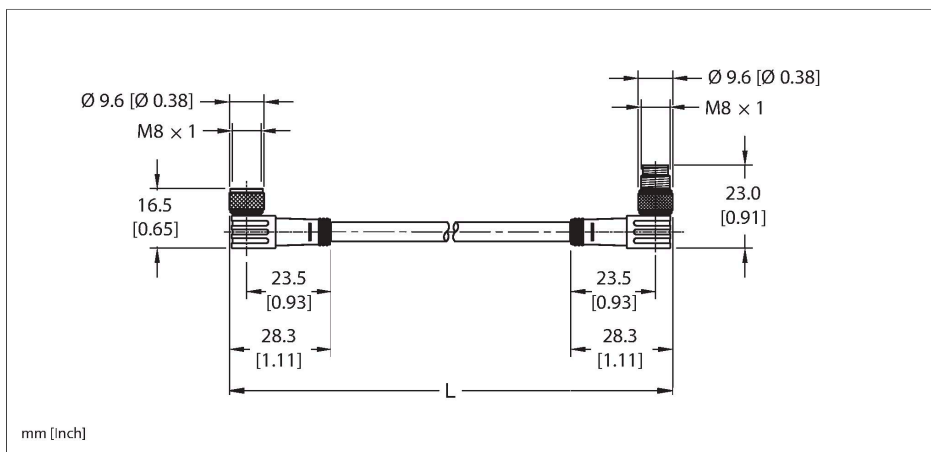


PKW 6M-x-PSW 6M/S90/S618

Actuator and Sensor Cable – Extension Cable



Technische Daten

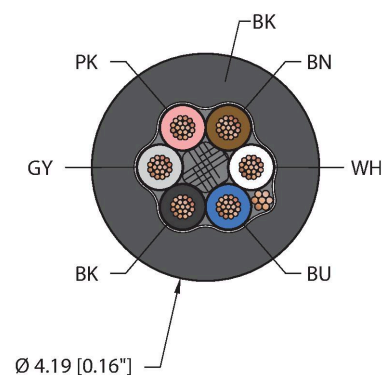
Type	PKW 6M-x-PSW 6M/S90/S618
ID	777021930
Special version	S90 = TPU cable jacket S618 = Cable with foil shield and drain. Drain not connected.
Connector A	Female, M8 × 1, Right angle
Design specification	Acc. to IEC 61076-2-104
Number of contacts	6
Contacts	Brass, CuZn, Gold-plated
Contact carriers	Plastic, Nylon or TPU, Black
Connector body	Plastic, TPU, Yellow
Coupling nut	Brass, CuZn, Nickel-plated
Connector seal	O-ring, Plastic, FKM/FPM
Tightening torque (range)	0.4 ... 0.8 Nm (note max. torque of mating connector!)
Mechanical life	> 100 Mating cycles
Pollution degree	3
Protection class (When coupled)	IP67
	NEMA: 1, 3, 4, 6P
Connector B	Male, M8 × 1, Right angle
Design specification	Acc. to IEC 61076-2-104
Number of contacts	6
Contacts	Brass, CuZn, Gold-plated
Contact carriers	Plastic, Nylon or TPU, Black
Connector body	Plastic, TPU, Yellow

Features



- M8, Female, Right-angle, 6-pin
- Threaded Connector
- M8, Male, Right-angle, 6-pin
- Threaded Connector
- General Purpose Cable
- Black TPU jacket, shielded, 6X26 AWG
- -40 Cold Bend Rating
- Flame Ratings: UL1061, CSA FT1

Cable cross section



Contact assignment

Technische Daten

Coupling nut	Brass, CuZn, Nickel-plated
Tightening torque	0.4 ... 0.8 Nm (note max. torque of mating connector!)
Mechanical life	> 100 Mating cycles
Pollution degree	3
Protection class (When coupled)	IP68
	NEMA: 1, 3, 4, 6P

Cable data	
Cable ID	RF51144
Total number of conductors	6
Cable diameter	Ø 4.19 mm
Cable jacket	TPU, Black
Shielding	Aluminum/polyester (IN), 26 AWG, TC (Tinned Copper)
Conductor diameter	0.033 "
Conductor material	TC (tinned copper)
Conductor insulation material	SR-PVC
Conductor size	6 x 26 AWG [Similar to 0.14 mm ²]
Number of strands x O.D.	19 x 38 AWG
Conductor colors	BN, WH, BU, BK, GY, PK

Electrical properties at +20 °C	
Rated voltage	125 VAC/DC
Current	2 A

Mechanical and chemical properties	
Bending radius (static)	≥ 5 x Ø
Bending radius (dynamic)	≥ 15 x Ø
UL cold bend rating	-40 °C
Ambient temperature range (static)	-40...+90 °C
Ambient temperature range (dynamic)	5...+90 °C
Temperature range (installation)	-10...+90 °C

Approval	
Approvals	UL 2238 CSA C22.2 No. 182.3 CE UKCA RoHS

Note	
	- Flex ratings may be reduced if used in extreme temperatures, exposure to certain chemicals, operating above the rated cycle speed, or operating below the rated cable bend radius.

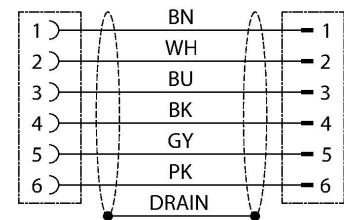
Connector A



Connector B



Circuit Diagram



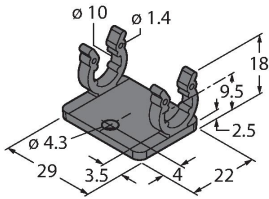
Technische Daten

- We reserve the right to make technical alterations without prior notice.

Montagezubehör

M8-CORDESETS-MOUNTING-CLIP-(10/BAG)

200005995



10 Pack of black mounting clips and M4x8mm mounting screws, used to secure cable to cable connection points.