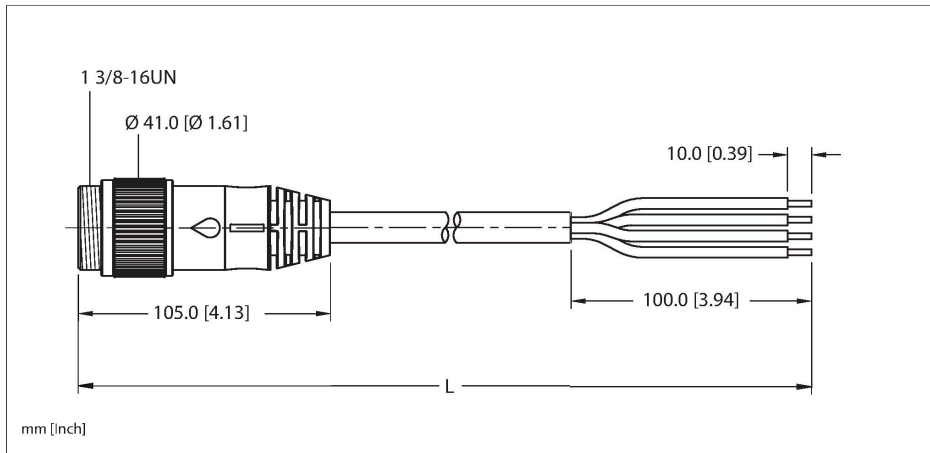


# GSDM 40-xM/S4000

## Power Cordset – Connection Cordset

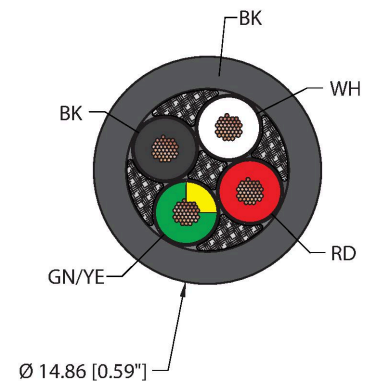


### Features



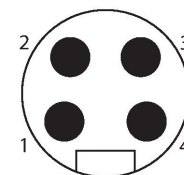
- Straight Male 1 3/8" D-Size powerfast Connector
- 1-3/8" Male, Straight, 4-pin
- Power Tray/Exposed Run/Direct Burial Cable
- Black PVC jacket, 4X10 AWG
- Sunlight Resistant
- -40 Cold Bend Rating
- Oil Resistant
- Flame Ratings: UL 1685 FT4, UL 1061, CSA FT1, CSA FT4

### Cable cross section



### Contact assignment

Connector A



### Technische Daten

|  |   |
|--|---|
| Type                                   | GSDM 40-xM/S4000                              |
| ID                                     | 777023924                                     |
| Special version                        | S4000 = TC-ER cable                           |
| Connector A                            | Male, 1 3/8"-16 UN, Straight                  |
| Number of contacts                     | 4   |
| Contacts                               | Brass, CuZn, Gold-plated                      |
| Contact carriers                       | Plastic, PVC, Black                           |
| Connector body                         | Plastic, PVC, Black                           |
| Coupling nut                           | Brass, CuZn, Nickel-plated                    |
| Protection class (When coupled)        | IP67, IP68, IP69, IP69K                       |
|  | NEMA: 1, 3, 4, 6P                             |
| <b>Cable data</b>                      |   |
| Cable ID                               | RF51743                                       |
| Total number of conductors             | 4   |
| Cable diameter                         | Ø 14.86 mm                                    |
| Cable jacket                           | PVC, Black                                    |
| Conductor diameter                     | 0.186 "                                       |
| Conductor material                     | BC (bare copper)                              |
| Conductor insulation material          | PVC   |
| Conductor size                         | 4 x 10 AWG [Similar to 6.00 mm <sup>2</sup> ] |
| Number of strands x O.D.               | 105 x 30 AWG                                  |
| Conductor colors                       | WH, RD, GN/YE, BK                             |
| <b>Electrical properties at +20 °C</b> |   |
| Rated voltage                          | 600 V   |

## Technische Daten

|   |  |
|---|--|
| Current                                   | 35 A   |
| <b>Mechanical and chemical properties</b> |  |
| Bending radius (static)                   | ≥ 5 x Ø  |
| Bending radius (dynamic)                  | ≥ 10 x Ø   |
| UL cold bend rating                       | -40 °C   |
| Ambient temperature range (static)        | -40...+90 °C   |
| Ambient temperature range (dynamic)       | -40...+90 °C   |
| Temperature range (installation)          | -20...+90 °C   |
| <b>Approval</b>                           |  |
| Approvals                                 | UL 2237<br>CE<br>UKCA<br>RoHS  |
| <b>Note</b>                               |  |
|   | - CAUTION: RISK OF ELECTRICAL SHOCK. DO NOT DISCONNECT UNDER LOAD.   |
|   | - Flex ratings may be reduced if used in extreme temperatures, exposure to certain chemicals, operating above the rated cycle speed, or operating below the rated cable bend radius. |
|   | - We reserve the right to make technical alterations without prior notice.   |

## Circuit Diagram

