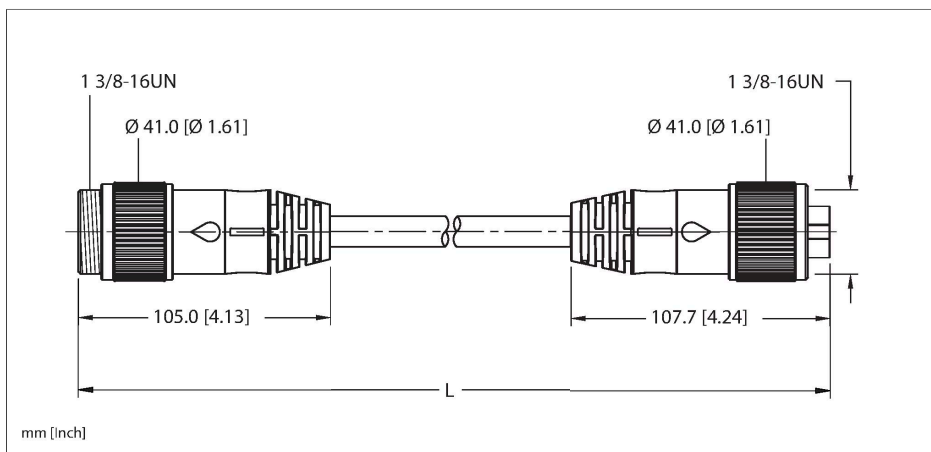


GSDA GKDA 40-*M/S4000

Power Cordset – Extension Cable



Technical data

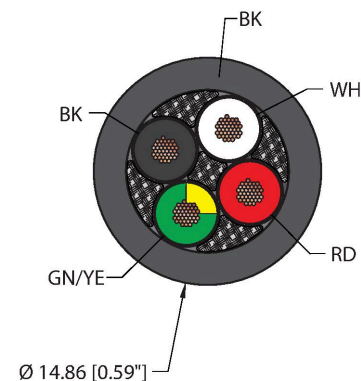
Type	GSDA GKDA 40-*M/S4000
ID	777023960
Special version	S4000 = TC-ER cable
Connector A	Male, 1 3/8"-16 UN, Straight
Number of contacts	4
Contacts	Brass, CuZn, Gold-plated
Contact carriers	Plastic, PVC, Black
Connector body	Plastic, PVC, Black
Coupling nut	Aluminum, Anodized
Protection class (When coupled)	IP67, IP68, IP69, IP69K
	NEMA: 1, 3, 4, 6P
Connector B	Female, 1 3/8"-16 UN, Straight
Number of contacts	4
Contacts	Brass, CuZn, Gold-plated
Contact carriers	Plastic, PVC, Black
Connector body	Plastic, PVC, Black
Coupling nut	Aluminum, Anodized
Protection class (When coupled)	IP67, IP68, IP69, IP69K
	NEMA: 1, 3, 4, 6P
Cable data	
Cable ID	RF51743
Total number of conductors	4
Cable diameter	Ø 14.86 mm
Cable jacket	PVC, Black

Features



- 1-3/8" Male, Straight, 4-pin
- 1-3/8" Female, Straight, 4-pin
- Power Tray/Exposed Run/Direct Burial Cable
- Black PVC jacket, 4X10 AWG
- Sunlight Resistant
- -40 Cold Bend Rating
- Oil Resistant
- Flame Ratings: UL 1685 FT4, UL 1061, CSA FT1, CSA FT4

Cable cross section



Contact assignment

Technical data

Conductor diameter	0.186 "
Conductor material	BC (bare copper)
Conductor insulation material	PVC
Conductor size	4 x 10 AWG [Similar to 6.00 mm ²]
Number of strands x O.D.	105 x 30 AWG
Conductor colors	WH, RD, GN/YE, BK

Electrical properties at +20 °C	
Rated voltage	600 V
Current	35 A

Mechanical and chemical properties	
Bending radius (static)	≥ 5 x Ø
Bending radius (dynamic)	≥ 10 x Ø
UL cold bend rating	-40 °C
Ambient temperature range (static)	-40...+90 °C
Ambient temperature range (dynamic)	-40...+90 °C
Temperature range (installation)	-20...+90 °C

Approval	
Approvals	UL 2237 CE UKCA RoHS

Note	
	- CAUTION: RISK OF ELECTRICAL SHOCK. DO NOT DISCONNECT UNDER LOAD.
	- Flex ratings may be reduced if used in extreme temperatures, exposure to certain chemicals, operating above the rated cycle speed, or operating below the rated cable bend radius.
	- We reserve the right to make technical alterations without prior notice.

