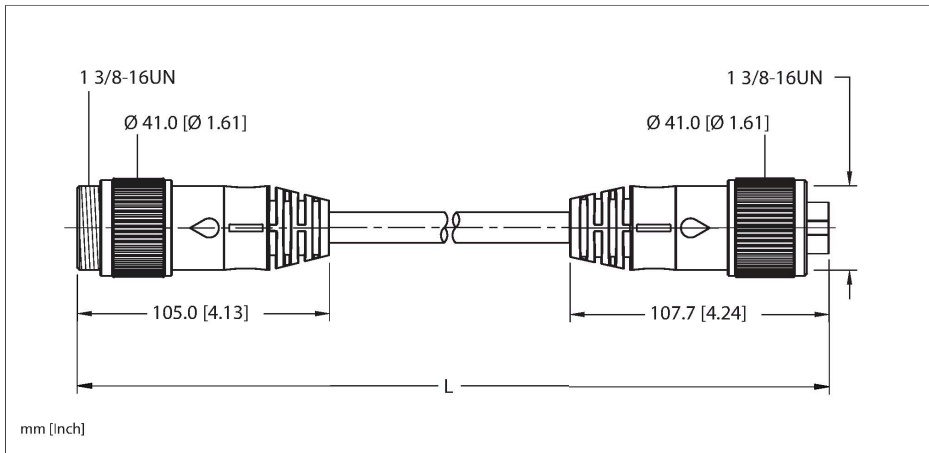


P-PWR-GSDA GKDA 32-1669-xM

Hazardous Location Power Cordset – Extension Cable

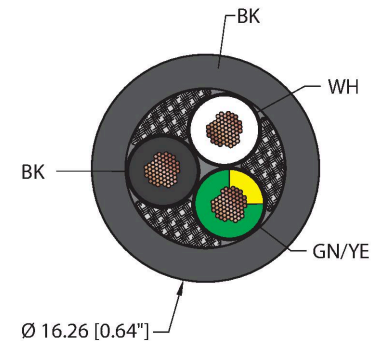


Features

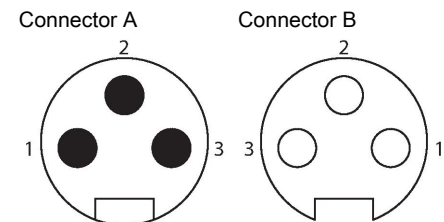


- 1-3/8" Male, Straight, 3-pin
- 1-3/8" Female, Straight, 3-pin
- Power Tray/Exposed Run/Direct Burial Cable
- Black TPE jacket, 3X12 AWG
- Sunlight Resistant
- -40 Cold Bend Rating
- Oil Resistant
- Flame Ratings: UL 1685 FT4, UL 1100, CSA FT1, CSA FT4

Cable cross section



Contact assignment



Technische Daten

Type	P-PWR-GSDA GKDA 32-1669-xM
ID	777029646
Connector A	Male, 1 3/8"-16 UN, Straight
Contacts	Brass, CuZn, Gold-plated
Contact carriers	Plastic, PVC, Black
Connector body	Plastic, PVC, Black
Coupling nut	Brass, CuZn, Nickel-plated
Protection class (When coupled)	IP67, IP68, IP69, IP69K
	NEMA: 1, 3, 4, 6P
Connector B	Female, 1 3/8"-16 UN, Straight
Number of contacts	3
Contacts	Brass, CuZn, Gold-plated
Contact carriers	Plastic, PVC, Black
Connector body	Plastic, PVC, Black
Coupling nut	Brass, CuZn, Nickel-plated
Protection class (When coupled)	IP67, IP68, IP69, IP69K
	NEMA: 1, 3, 4, 6P
Cable data	
Cable ID	RF51669
Total number of conductors	3
Cable diameter	Ø 16.26 mm
Cable jacket	TPE, Black
Conductor diameter	0.202 "
Conductor material	BC (bare copper)

Technische Daten

Conductor insulation material	PVC/Nylon (Nylon overcoat)
Conductor size	3 x 12 AWG [Similar to 4.00 mm ²]
Number of strands x O.D.	65 x 30 AWG
Conductor colors	WH, GN/YE, BK
Electrical properties at +20 °C	
Rated voltage	600 V
Current	30 A
Mechanical and chemical properties	
Bending radius (static)	≥ 5 x Ø
Bending radius (dynamic)	≥ 10 x Ø
UL cold bend rating	-40 °C
Ambient temperature range (static)	-40...+90 °C
Ambient temperature range (dynamic)	5...+90 °C
Temperature range (installation)	-10...+90 °C
Approval	
Approvals	UL 2237 CE UKCA RoHS
Note	
	- CAUTION: RISK OF ELECTRICAL SHOCK. DO NOT DISCONNECT UNDER LOAD.
	- Flex ratings may be reduced if used in extreme temperatures, exposure to certain chemicals, operating above the rated cycle speed, or operating below the rated cable bend radius.
	- We reserve the right to make technical alterations without prior notice.