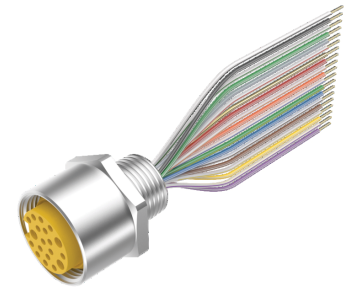
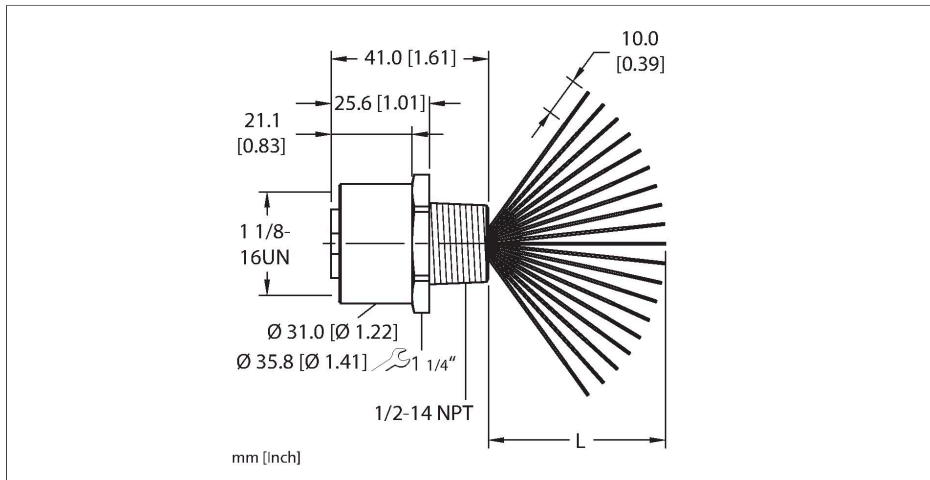


P-RKFV 190-*/14.5/NPT

Hazardous Location Receptacle – Front Mount



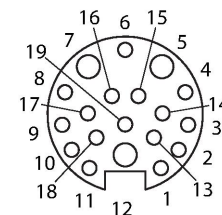
Features



- Female 1 1/8" minifast Receptacle, 19 pin
- Mounting thread: 1/2"-14 NPT

Contact assignment

Connector A



Technical data

Type	P-RKFV 190-*/14.5/NPT
ID	777031380
Connector A	Female, 1 1/8"-16 UN
Number of contacts	19
Contacts	Brass, CuZn, Gold-plated
Contact carriers	Plastic, TPU, Yellow
Housing material/finish	Stainless Steel, 1.4401 (AISI 316), Passivated
Tightening torque	3 Nm
Mounting orientation	Front mount
Mounting thread	1/2"-14 NPT
Receptacle mounting torque	3.5...10.2 Nm
Mechanical life	> 100 Mating cycles
Pollution degree	3
Protection class (When coupled)	IP67, IP68, IP69, IP69K
	NEMA: 1, 3, 4, 4X, 6P, 12
Total number of conductors	18
Conductor material	TC (tinned copper)
Conductor insulation material	PVC
Conductor size	18 x 22 AWG [Similar to 0.34 mm ²] 18 AWG [Similar to 0.75 mm ²]
Conductor colors	WH/BK, BK/WH, WH/GN, GN/WH, GY, WH/RD, RD/WH, WH/OG, OG/WH, WH/ BU, GN/YE, BU/WH, WH/BN, BN/WH, WH/YE, YE/WH, WH/VT, VT/WH

Technical data

Electrical properties at +20 °C

Rated voltage	300 V
Current	4 A (Contacts 5,12) / 2 A (All other contacts)

Mechanical and chemical properties

Ambient temperature range (static)	-40...+105 °C
------------------------------------	---------------

Approvals	UL 2238 UL Div. 2 FM Div.2 CSA Div. 2 CE RoHS
-----------	--

Note

- CAUTION: RISK OF ELECTRICAL SHOCK. DO NOT DISCONNECT UNDER LOAD.

- We reserve the right to make technical alterations without prior notice.

Circuit Diagram

1	WH/BK
2	BK/WH
3	WH/GN
4	GN/WH
5	GY
6	WH/RD
7	
8	RD/WH
9	WH/OG
10	OG/WH
11	WH/BU
12	GY/YE
13	BU/WH
14	WH/BN
15	BN/WH
16	WH/YE
17	YE/WH
18	WH/VT
19	VT/WH

Front panel mounting

