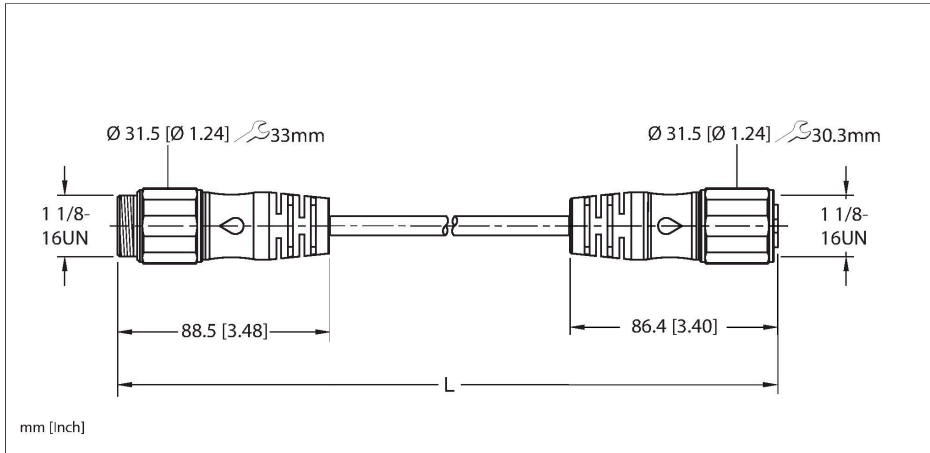


# P-RSV RKV 190-1484XL-\*M

## Hazardous Location Cordset – Extension Cable



### Technical data

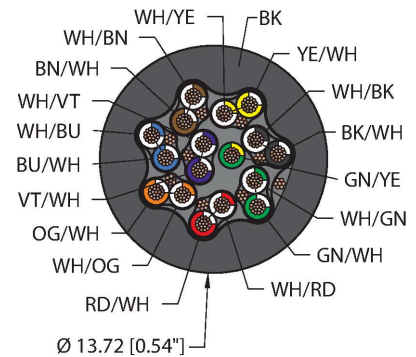
Type	P-RSV RKV 190-1484XL-*M
ID	777034652
Connector A	Male, 1 1/8"-16 UN, Straight
Number of contacts	19
Contacts	Brass, CuZn, Gold-plated
Contact carriers	Plastic, TPU, Yellow
Connector body	Plastic, TPU, Black
Coupling nut	Stainless Steel, 316 (1.4404), Passivated
Tightening torque	3 Nm
Mechanical life	> 100 Mating cycles
Pollution degree	3
Protection class (When coupled)	IP67, IP68, IP69, IP69K
	NEMA: 1, 3, 4, 4X, 6P, 12
Connector B	Female, 1 1/8"-16 UN, Straight
Number of contacts	19
Contacts	Brass, CuZn, Gold-plated
Contact carriers	Plastic, TPU, Yellow
Connector body	Plastic, TPU, Black
Coupling nut	Stainless Steel, 316 (1.4404), Passivated
Tightening torque	3 Nm
Mechanical life	> 100 Mating cycles
Pollution degree	3
Protection class (When coupled)	IP67, IP68, IP69, IP69K
	NEMA: 1, 3, 4, 4X, 6P, 12

### Features



- 1-1/8" Male, Straight, 19-pin
- 1-1/8" Female, Straight, 19-pin
- Shielded Twisted Pair
- Extremelife™ Cable
- Black EX60 jacket, shielded, 8SPDX22+1X18 AWG
- Sunlight Resistant
- -60°C Cold Bend Rating
- -40°C Cold Impact Rating
- Oil Resistant
- Flame Ratings: UL 1685 FT4, IEEE 1202 FT4, CSA FT1, CSA FT4, IEC 60332-3-22

### Cable cross section

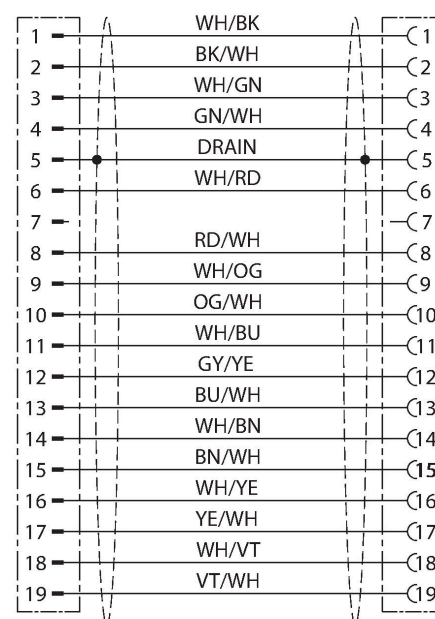
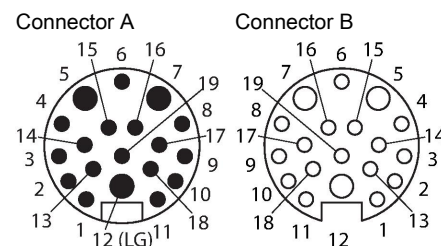


P-RSV RKV 190-1484XL-\*M | 01/14/2026 17-56 | technical changes reserved

## Technical data

Cable data	
Cable ID	RF51484
Total number of conductors	17
Cable diameter	Ø 13.72 mm
Cable jacket	EX60, Black
Shielding	Aluminum/polyester (OUT), 22 AWG TC (Tinned Copper)
Conductor diameter	0.086 "
Conductor material	TC (tinned copper)
Conductor insulation material	XLPE
Conductor size	1 x 18 AWG [Similar to 0.75 mm <sup>2</sup> ]
Number of strands x O.D.	19 x 0.0092 "
Conductor colors	WH/BK, BK/WH, WH/GN, GN/WH, WH/RD, RD/WH, WH/OG, OG/WH, WH/BU, BU/WH, WH/BN, BN/WH, WH/YE, YE/WH, WH/VT, VT/WH, GN/YE
Description of assembly	STPD (Shielded Twisted Pair, Drain)
Number of pairs	8
Conductor diameter	0.07 "
Conductor insulation material	XLPE
Assembly drain	22 AWG, TC (Tinned Copper)
Assembly foil	Foil (IN)
Cable conductor cross-section	2x22 AWG [Similar to 0.34 mm <sup>2</sup> ]
Number of strands x O.D.	19x0.0058 "
Electrical properties at +20 °C	
Rated voltage	300 V
Current	4 A (Contacts 5,7,12) / 2 A (All other contacts)
Mechanical and chemical properties	
Bending radius (static)	≥ 5 x Ø
Bending radius (dynamic)	≥ 15 x Ø
UL cold bend rating	-60 °C
UL cold impact rating	-40 °C
Ambient temperature range (static)	-60...+105 °C
Ambient temperature range (dynamic)	-60...+105 °C
Temperature range (installation)	-20...+105 °C
Approval	
Approvals	FM Div.2 CSA Div. 2 CE RoHS

## Contact assignment



## Technical data

### Note

- CAUTION: RISK OF ELECTRICAL SHOCK. DO NOT DISCONNECT UNDER LOAD.

- Flex ratings may be reduced if used in extreme temperatures, exposure to certain chemicals, operating above the rated cycle speed, or operating below the rated cable bend radius.

- We reserve the right to make technical alterations without prior notice.