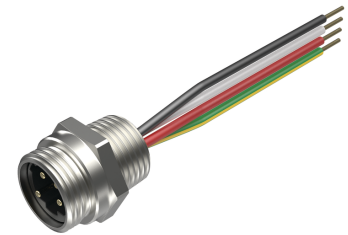
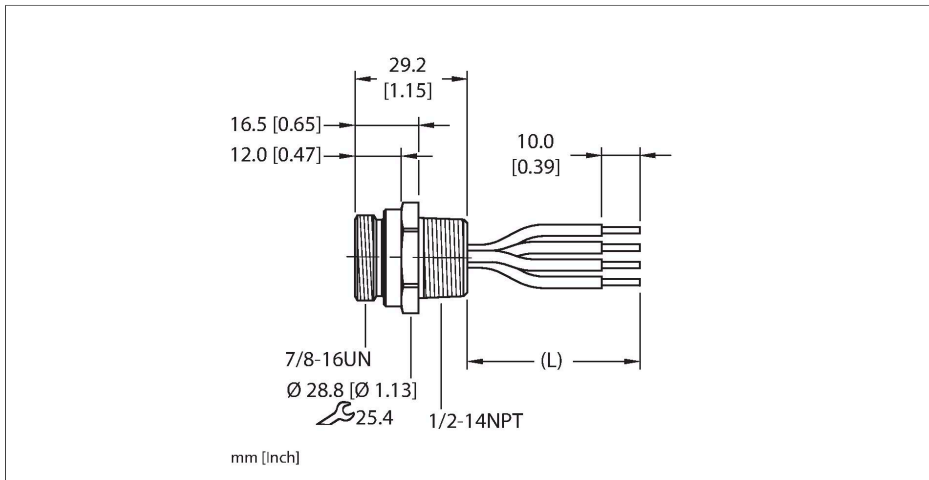


RSF 44P-*M/NPT

Power Receptacle – Front Mount



Technical data

Type	RSF 44P-*M/NPT
ID	777038338
Connector A	Male, 7/8"-16 UN
Number of contacts	4
Contacts	Brass, CuZn, Gold-plated
Contact carriers	Plastic, TPU, Black
Housing material/finish	Brass, CuZn, Nickel-plated
Tightening torque (range)	3.5 ... 10.2 Nm (note max. torque of mating connector!)
Mounting orientation	Front mount
Mounting thread	1/2"-14 NPT
Receptacle mounting torque	3.5...10.2 Nm
Mechanical life	> 100 Mating cycles
Pollution degree	3
Protection class (When coupled)	IP67, IP68, IP69, IP69K
	NEMA: 1, 3, 4, 6P, 12
Total number of conductors	4
Conductor material	TC (tinned copper)
Conductor insulation material	PVC
Conductor size	14 AWG [Similar to 2.50 mm ²]
Conductor colors	BK, WH, RD, GN/YE
Electrical properties at +20 °C	
Rated voltage	600 V
Current	18 A

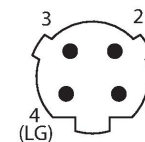
Features



- 7/8" powerfast, Male, Receptacle, 4 pin
- Mounting thread: 1/2"-14 NPT

Contact assignment

Connector A



Circuit Diagram



Technical data

Mechanical and chemical properties

Ambient temperature range (static) -40...+105 °C

Approvals
 UL Listed
 UL 2237
 CE
 RoHS

Note

- CAUTION: RISK OF ELECTRICAL SHOCK. DO NOT DISCONNECT UNDER LOAD.

- We reserve the right to make technical alterations without prior notice.

Front panel mounting

