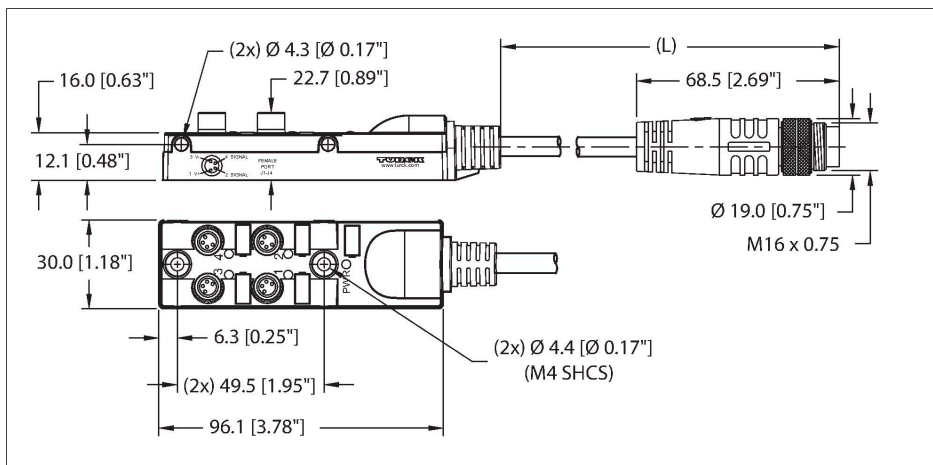


# TB-4M8M-4-\*-BSM14

## Passive Actuator/Sensor Junction Box, 4 Ports – M8, 4 pole I/O port with cable homerun



### Technical data

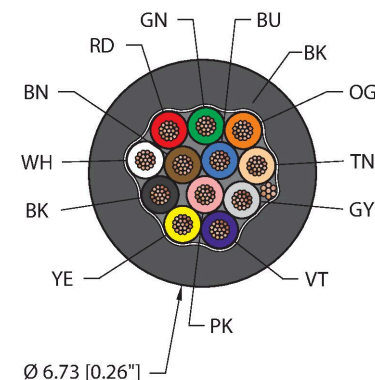
Type	TB-4M8M-4-*-BSM14
ID	777040998
Distributed I/O	Junction box, 4 -port, with M16 homerun connector
Housing	Plastic, PA6-GF30, Black
I/O Port	Female, M8 × 1
Design specification	Acc. to IEC 61076-2-104
Number of contacts	4
Contacts	Brass, CuZn, Gold-plated
Contact carriers	Plastic, PA 4.6 GF30, Black
Connector seal	O-ring, Plastic, FKM/FPM
Housing material/finish	Brass, CuZn, Nickel-plated
Mechanical life	> 100 Mating cycles
Pollution degree	3
Protection class (When coupled)	IP67, IP68, IP69, IP69K NEMA: 1, 3, 4, 6P, 12
Homerun connector	Male, M16 × 0.75 with cable, Side exit
Connector B	Straight
Number of contacts	14
Contacts	Brass, CuZn, Gold-plated
Contact carriers	Plastic, TPU, Black
Connector body	Plastic, TPU, Black
Coupling nut	Brass, CuZn, Nickel-plated

### Features



- Housing material: Nylon
- Housing color: Black
- Fully encapsulated
- Protection class: IEC: IP67
- RoHS compliant
- CE compliant
- I/O port: 4-pin
- General Purpose Cable
- Black PVC jacket, shielded, 12X24 AWG
- -40 Cold Bend Rating
- Flame Ratings: UL1061, CSA FT1

### Cable cross section



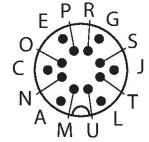
### Contact assignment

TB-4M8M-4-\*-BSM14 | 10/03/2025 00-08 | technical changes reserved

## Technical data

I/O Connector

Homerun connector



Mechanical life	> 100 Mating cycles
Pollution degree	3
Protection class (When coupled)	IP67
<b>Cable data</b>	
Cable ID	RF50755
Total number of conductors	12
Cable diameter	Ø 6.73 mm
Length (L)	1 m, (+50mm or 4% of length/-0.0, Whichever is greater)
Cable jacket	PVC, Black
Shielding	Aluminum/polyester (IN), 26 AWG, TC (Tinned Copper)
Conductor diameter	0.044 "
Conductor material	TC (tinned copper)
Conductor insulation material	PVC
Conductor size	12 x 24 AWG [Similar to 0.25 mm <sup>2</sup> ]
Number of strands x O.D.	19 x 36 AWG
Conductor colors	BU, PK, BN, RD, GN, OG, TN, GY, VT, YE, BK, WH
<b>Electrical properties at +20 °C</b>	
Rated voltage	30 VDC
Current	2 A per signal contact, total current 6 A
<b>Mechanical and chemical properties</b>	
Bending radius (static)	≥ 5 x Ø
Bending radius (dynamic)	≥ 15 x Ø
UL cold bend rating	-40 °C
Ambient temperature range (static)	-40...+85 °C
Ambient temperature range (dynamic)	5...+85 °C
Temperature range (installation)	-10...+85 °C
<b>Approval</b>	
Approvals	CE UKCA RoHS
<b>Note</b>	
	- Flex ratings may be reduced if used in extreme temperatures, exposure to certain chemicals, operating above the rated cycle speed, or operating below the rated cable bend radius.
	- We reserve the right to make technical alterations without prior notice.

## Scope of delivery

Device	Quantity	Description
Junction boxes	1	Passive actuator/sensor junction box
PSGM-CC	2	Closure caps for M8 female connectors
KS5/10	5	Labels

## Accessories

Ident-No.	Part Number	Description
U0915-15	BKM 14-836-5	Connection cordset, female, M16, 14-pin, straight, 5m * (homerun)
100021084	BKM 14-755A-5	Connection cordset, female, M16, 14-pin, straight, 5m * (homerun) power pair
U2-07158	BK 14-0	Field-wireable, female, M16, 14-pin, straight,(6-8mm)
U2-07157	BS 14-0	Field-wireable, male, M16, 14-pin, straight,(6-8mm)
A1050	KS 5/10 (10/LABELS)	Labels
U0136-00	PSG 4M-2	Cordset, male, M8 x 1, 4-pin, straight, 2m * (I/O port)
U99-11408	PSW 4M-2	Cordset, male, M8 x 1, 4-pin, right-angle, 2m * (I/O port)
U6427	PSGM-CC (8/BAG)	Dust cap, male, M8 x 1, Plastic, (8/BAG)
A900154	TORQUE-WRENCH-SET-M12&M8-LEGACY	Torque wrench set, Torque driver, torque setting tool, M12 fitting, M8 fitting.
A900101	PICOBX ADAPTOR PLATE, 4 PORT (1PACK)	Allows new picobox to utilize the previous version mounting hole locations.

\* Other lengths available on request

## Circuit Diagram

