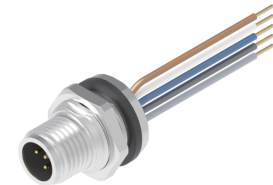
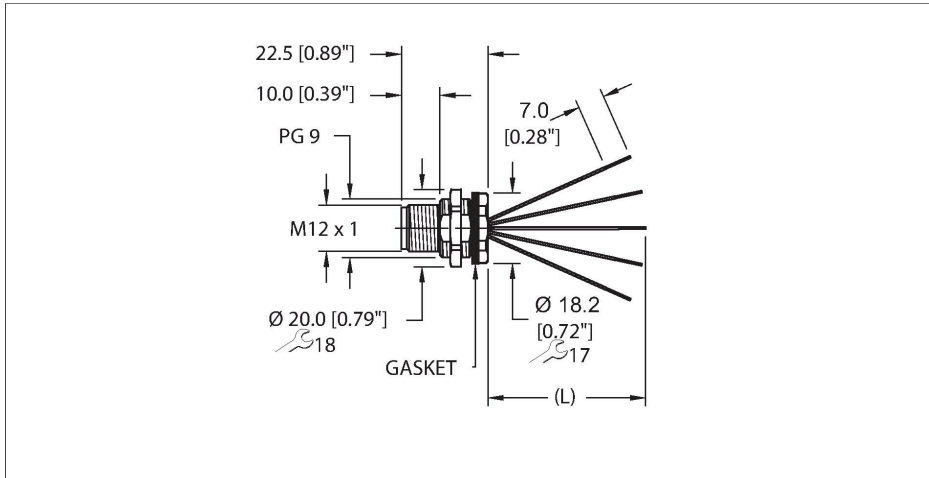


# ERSBG-A5.500.2-x Actuator and Sensor Receptacle – Rear Mount



## Technical data

Type	ERSBG-A5.500.2-x
ID	777043119
Replaces	FSFD 4.5-x
Connector A	Male, M12 × 1, A-code
Design specification	Acc. to IEC 61076-2-101
Number of contacts	5
Contacts	Bronze, CuSn, Gold-plated
Contact carriers	Plastic, TPU, Black
Housing material/finish	Brass, CuZn, Nickel-plated
Tightening torque (range)	0.4 ... 1.8 Nm (note max. torque of mating connector!)
Mounting orientation	Rear mount
Panel seal	Gasket, NBR
Mounting thread	PG9
Locknut	Brass, CuZn, Nickel-plated
Receptacle mounting torque	2.5...6.8 Nm
Mechanical life	> 100 Mating cycles
Pollution degree	3
Protection class (When coupled)	IP67, IP68, IP69, IP69K NEMA: 1, 3, 4, 6P, 12
Total number of conductors	5
Conductor material	TC (tinned copper)
Conductor insulation material	PVC
Conductor size	22 AWG [Similar to 0.34 mm <sup>2</sup> ]

## Features



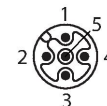




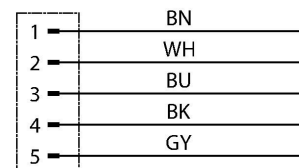
- M12, Male, Receptacle, Rear mount, 5-pin
- Mounting thread: PG9

## Contact assignment

Connector A



## Circuit Diagram

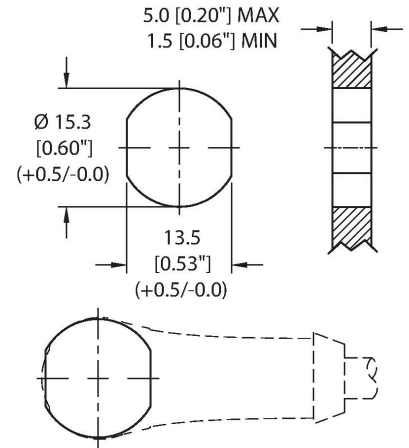


ERSBG-A5.500.2-x | 06/07/2023 09-15 | technical changes reserved

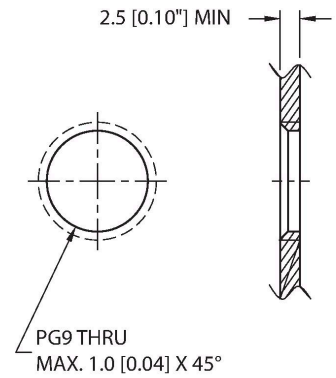
**Technical data**

Conductor colors	BN, WH, BU, BK, GY
<b>Electrical properties at +20 °C</b>	
Rated voltage	250 V <sub>AC</sub> /300 V <sub>DC</sub>
Current	4 A
<b>Mechanical and chemical properties</b>	
Ambient temperature range (static)	-40 °C...+105 °C
Approvals	UL 2238 CSA C22.2 No. 182.3 CE UKCA RoHS
<b>Note</b>	
- We reserve the right to make technical alterations without prior notice.	

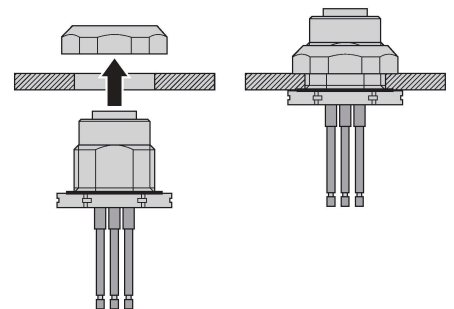
**Mounting hole - Through**



**Mounting hole - Threaded**



**Rear-mounted**

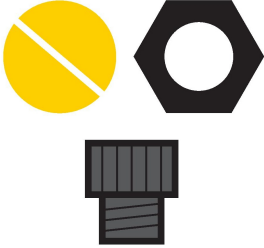


ERSBG-A5.500.2-x | 06/07/2023 09-15 | technical changes reserved

Accessories

**FK(S)FD-TOOL**

**A2550**



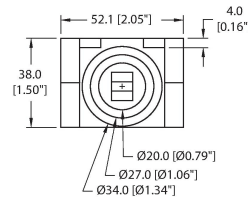
Tool, knockout hole punch, receptacle-mounting hole. Accommodates PG9 threads.

**DECAL,9-CLRS,RECEPT+BOXES,EURO(QTY1)**

**100008955**



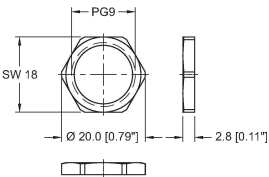
1 decal sticker containing 9 different color sets of 11 decals to color code a sensor, junction block port, cable end, or receptacle. 5ct 4x9mm rectangles, 4ct 8x19mm rectangles, 1ct 27mm ID ring, 1ct 20mm ID ring.



Accessories

**LOCKNUT-PG9-BRASS-(10/BAG)**

**100016624**



Locknut, PG9, Brass, Nickel-plated, 10 per bag