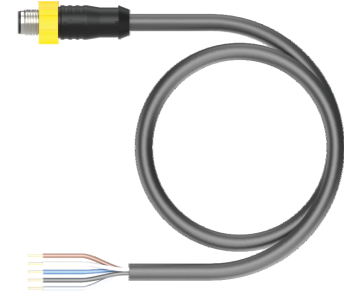
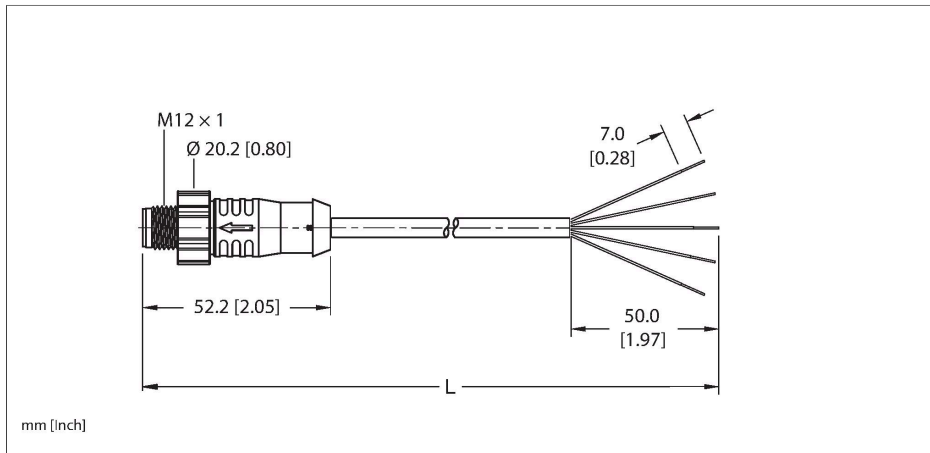


ESRT-A5.500-GU8K-x

Actuator and Sensor Cable – Connection Cable



Technische Daten

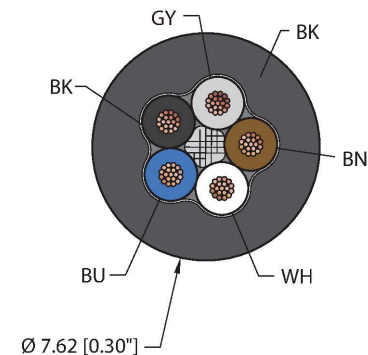
| | |
|---------------------------------|---|
| Type | ESRT-A5.500-GU8K-x |
| ID | 777044392 |
| Replaces | RSC 4.5T-x/S90 |
| Connector A | Male, M12 x 1, Straight, A-code |
| Design specification | Acc. to IEC 61076-2-101 |
| Number of contacts | 5 |
| Contacts | Bronze, CuSn, Gold-plated |
| Contact carriers | Plastic, Nylon or TPU, Black |
| Connector body | Plastic, TPU, Black |
| Coupling nut | Brass, CuZn, Nickel-plated |
| Torque sleeve | Plastic, PA, Yellow |
| Tightening torque (range) | 0.4 ... 1.8 Nm (note max. torque of mating connector!) |
| Mechanical life | > 100 Mating cycles |
| Pollution degree | 3 |
| Protection class (When coupled) | IP67, IP68, IP69, IP69K NEMA: 1, 3, 4, 6P, 12 |
| Cable data | |
| Cable ID | RF52518 |
| Total number of conductors | 5 |
| Cable diameter | Ø 7.62 mm |
| Cable jacket | TPU, Black |
| Conductor diameter | 0.076 " |
| Conductor material | TC (tinned copper) |
| Conductor insulation material | PVC |

Features



- M12, Male, Straight, 5-pin, Torque sleeve
- General Purpose Cable
- TPU jacket, Black, 5X18 AWG
- Flame Ratings: UL1061, CSA FT1
- Flexlife® and C-Track Approved

Cable cross section



Contact assignment

Technische Daten

| | |
|--------------------------|---|
| Conductor size | 5 x 18 AWG [Similar to 0.75 mm ²] |
| Number of strands x O.D. | 19 x 0.0092 " |
| Conductor colors | BN, WH, BU, BK, GY |

| Electrical properties at +20 °C | |
|---------------------------------|--|
| Rated voltage | 250 V _{AC} /300 V _{DC} |
| Current | 5 A |

| Mechanical and chemical properties | |
|------------------------------------|-------------------|
| Bending radius (static) | ≥ 5 x Ø |
| Bending radius (dynamic) | ≥ 10 x Ø |
| UL cold bend rating | -40 °C |
| Flex rating 20 x Ø | 10 million cycles |

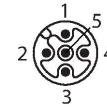
*When properly installed @ 20°C, 50%RH, and a cycle speed of ≤0.5 cycles per second.

| | |
|-------------------------------------|--------------|
| C-Track | Yes |
| Ambient temperature range (static) | -40...+90 °C |
| Ambient temperature range (dynamic) | 5...+90 °C |
| Temperature range (installation) | -10...+90 °C |

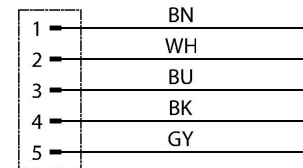
| Approval | |
|-----------|--|
| Approvals | UL 2238 CSA C22.2 No. 182.3 CE UKCA RoHS |

| Note | |
|------|--|
| | - Flex ratings may be reduced if used in extreme temperatures, exposure to certain chemicals, operating above the rated cycle speed, or operating below the rated cable bend radius. |
| | - The torque sleeve can be removed, before or after installation by inserting a small flat screwdriver near the relief by the arrow and prying. |
| | - We reserve the right to make technical alterations without prior notice. |

Connector A



Circuit Diagram



Montagezubehör

M12-TORQUE-SLEEVE,YELLOW(10PACK)

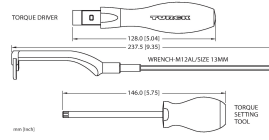
A900167



10 Pack of Yellow Torque Sleeves for the new M12 cordsets. Compatible with male, female, straight and right-angled, stainless steel and nickel-plated brass coupling nuts.

TORQUE-WRENCH-SET-M12/SW13

A900152



Adjustable torque driver to connect to the 13mm hex. Compatible with redesigned M12 cordsets, M12 Power, and M12 X-code. NOT Compatible with legacy M12 cordsets. Includes (1) adjustable torque driver, (1) adjustment tool, and (1) 13mm forked bit.

Montagezubehör

M12-CORDSETS-MOUNTING-CLIP-(10/BAG)

100016882



10 Pack of black mounting clips and M4x8mm mounting screws, used to secure cable to cable connection points.