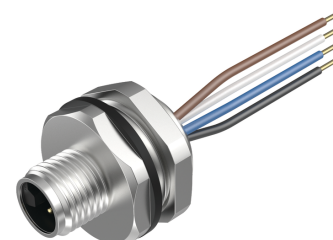
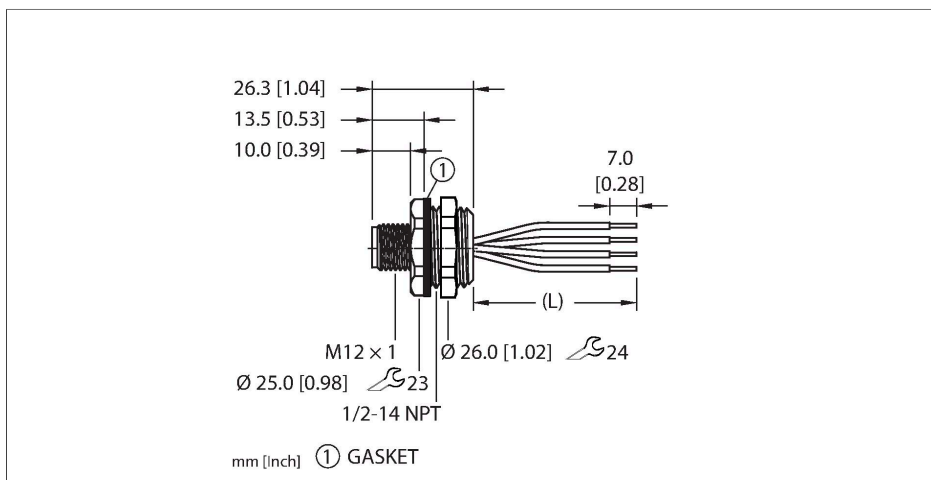


FSV44PL-x/14.5/NPT

M12 Power Receptacle – Front Mount



Features



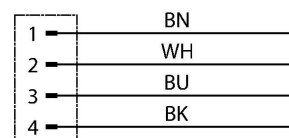
- M12 Power, Male, L-code, 4-pole
- Mounting thread: 1/2"-14 NPT

Contact assignment

Connector A



Circuit Diagram



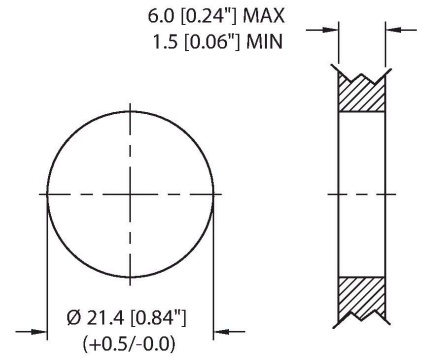
Technische Daten

Type	FSV44PL-x/14.5/NPT
ID	777045786
Connector A	Male, M12 × 1, L-code
Design specification	Acc. to IEC 61076-2-111
Number of contacts	4
Contacts	Brass, CuZn, Gold-plated
Contact carriers	Plastic, PA, Black
Housing material/finish	Stainless Steel, 1.4401 (AISI 316), Passivated
Tightening torque (range)	0.4 ... 1 Nm (note max. torque of mating connector!)
Mounting orientation	Front mount
Panel seal	Gasket, Rubber, NBR
Mounting thread	1/2"-14 NPT
Locknut	Stainless Steel, 1.4401 (AISI 316), Passivated
Receptacle mounting torque	3.5...10.2 Nm
Mechanical life	> 100 Mating cycles
Pollution degree	3
Protection class (When coupled)	IP67, IP68
	NEMA: 1, 3, 4, 6P
Total number of conductors	4
Conductor material	TC (tinned copper)
Conductor insulation material	PVC
Conductor size	4 x 14 AWG [Similar to 2.50 mm ²]

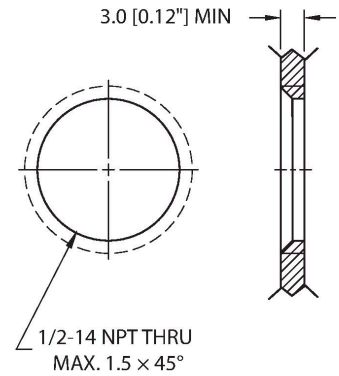
Technische Daten

Conductor colors	BN, WH, BU, BK
Electrical properties at +20 °C	
Rated voltage	63 V
Current	16 A
Mechanical and chemical properties	
Ambient temperature range (static)	-40...+85 °C
Note	
<p>- CAUTION: RISK OF ELECTRICAL SHOCK. DO NOT DISCONNECT UNDER LOAD.</p> <p>- We reserve the right to make technical alterations without prior notice.</p>	

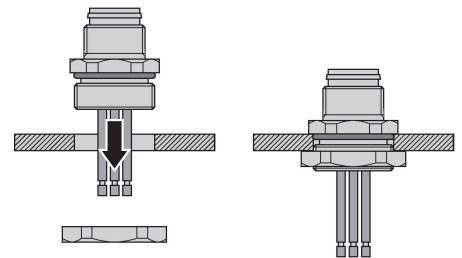
Mounting hole - Through



Mounting hole - Threaded



Front panel mounting



FSV44PL-x/14.5(NPT) 22-02-2025 02-26 | Technische Änderungen vorbehalten

Montagezubehör

DECAL,9-CLRS,RECEPT+BOXES,EURO(QTY1)**100008955**

1 decal sticker containing 9 different color sets of 11 decals to color code a sensor, junction block port, cable end, or receptacle. 5ct 4x9mm rectangles, 4ct 8x19mm rectangles, 1ct 27mm ID ring, 1ct 20mm ID ring.

