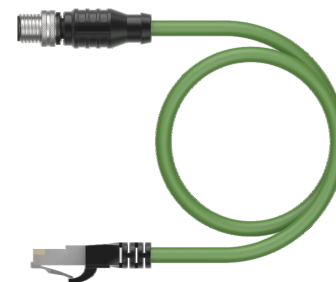
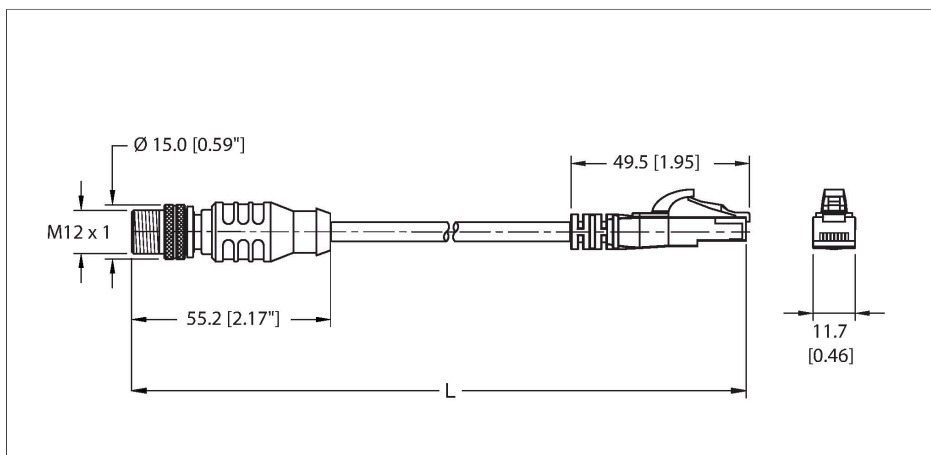


RSSD RJ45SC 423-xM PROFINET Cordset – Patch Cable



Technical data

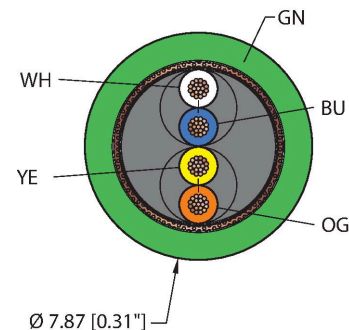
| | |
|---------------------------------|---|
| Type | RSSD RJ45SC 423-xM |
| ID | 777047290 |
| Connector A | Male, M12 × 1, Straight, D-code |
| Number of contacts | 4 |
| Contacts | Brass, CuZn, Gold-plated |
| Contact carriers | Plastic, TPU, Black |
| Connector body | Plastic, TPU, Black |
| Coupling nut | Brass, CuZn, Nickel-plated |
| Tightening torque (range) | 0.8 ... 1 Nm (note max. torque of mating connector!) |
| Mechanical life | > 100 Mating cycles |
| Pollution degree | 3 |
| Protection class (When coupled) | IP67 |
| Connector B | Male, RJ45, Straight |
| Number of contacts | 8 |
| Contacts | Bronze, CuSn, Gold-plated |
| Contact carriers | Plastic, PC, Transparent |
| Connector body | Plastic, TPU, Black |
| Protection class (When coupled) | IP20 |
| | NEMA: 1 |
| Cable data | |
| Cable ID | RF52558 |
| Fieldbus | PROFINET, 423/420 |
| Total number of conductors | 4 |

Features



- M12, Male, Straight, 4-pin
- Shield to coupling nut
- D-code
- RJ45, Male, Straight, 8-pin, Shielded
- Unshielded Twisted Pair
- Industrial Ethernet Cable
- fieldbus type: Ethernet CAT5E, Green TPE jacket, shielded, 2UTPX22 AWG
- Sunlight Resistant
- Oil Resistant
- Flame Ratings: UL 1685, UL1061
- Flexlife® and C-track rated

Cable cross section



Contact assignment

Technical data

| | |
|-------------------------------|--|
| Cable diameter | Ø 7.87 mm |
| Cable jacket | TPE, Green |
| Shielding | Aluminum/polyester (OUT), 38 AWG, TC (Tinned Copper), 75% coverage |
| Conductor material | TC (tinned copper) |
| Conductor colors | WH, BU, YE, OG |
| Description of assembly | UTP (Unshielded Twisted Pair) |
| Number of pairs | 2 |
| Conductor diameter | 0.058 " |
| Conductor insulation material | HDPE |
| Cable conductor cross-section | 2x22 AWG [Similar to 0.34 mm ²] |
| Number of strands x O.D. | 19x0.0058 " |

Electrical properties at +20 °C

| | |
|---------------|--|
| Rated voltage | 42 V |
| Rated voltage | 30 V _{AC} /42 V _{DC} |
| Current | 1.5 A |

Mechanical and chemical properties

| | |
|--------------------------|----------------|
| Bending radius (static) | ≥ 4 x Ø |
| Bending radius (dynamic) | ≥ 10 x Ø |
| Bending radius (C-track) | ≥ 4 ln. |
| Bending cycles (C-track) | 35 Million * |
| Torsional stress | ± 180 °/m |
| Torsion rating | Max. 5 million |
| Torsional stress | 52 Cycles/min |

*When properly installed @ 20°C, 50%RH, and a cycle speed of ≤0.5 cycles per second.

| | |
|-------------------------------------|--------------|
| C-Track | Yes |
| Ambient temperature range (static) | -40...+80 °C |
| Ambient temperature range (dynamic) | 5...+80 °C |
| Temperature range (installation) | -10...+80 °C |

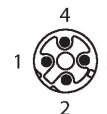
Approval

| | |
|-----------|--------------------|
| Approvals | CE UKCA RoHS |
|-----------|--------------------|

Note

- Flex ratings may be reduced if used in extreme temperatures, exposure to certain chemicals, operating above the rated cycle speed, or operating below the rated cable bend radius.

Connector A



Connector B



Circuit Diagram



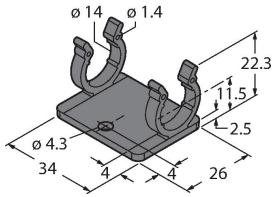
Technical data

- We reserve the right to make technical alterations without prior notice.

Accessories

M12-CORDSETS-MOUNTING-CLIP-(10/BAG)

100016882



10 Pack of black mounting clips and M4x8mm mounting screws, used to secure cable to cable connection points.