

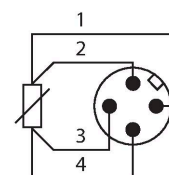
# TP-306A-CF-H1141-L1000

## Temperature Detection – Probe

### Features

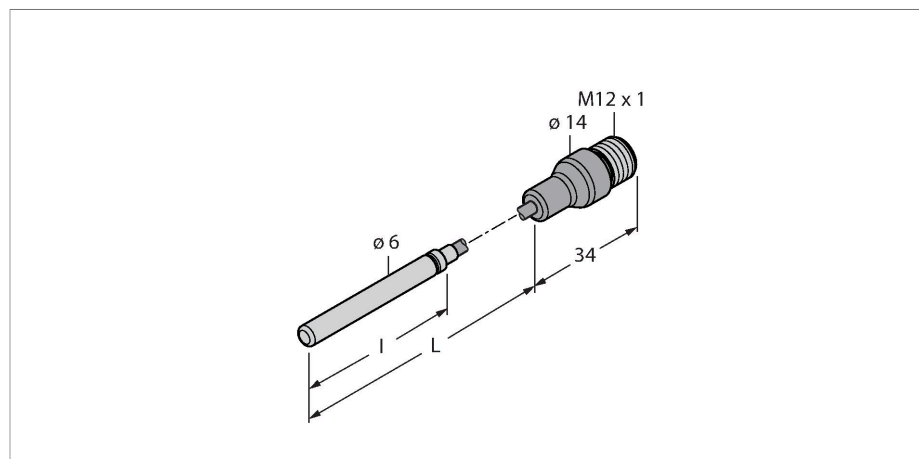
- Pt 100 probe according to DIN EN 60751
- Resistant to vibrations and shocks
- Connectable to TS, TTM, IM34, BL20, BL67
- Max. temperature connector: 120°C
- Connection mode: 4-wire connection

### Wiring diagram



### Functional principle

Resistance thermometers are used for the detection and monitoring of temperatures to optimize and control a process. Typical applications are in machine and plant construction as well as in the process industry. The core element of the temperature probe is a temperature-dependent resistor.



### Technical data

Type	TP-306A-CF-H1141-L1000
ID	9910479
<b>Temperature range</b>	
Measuring range	-50...105 °C
Measuring range	-58...221 °F
Accuracy	±0.15 K + 0.002 • t  (-30...300 °C)
Measuring element	Pt-100 probe, DIN EN 60751, class A, connection mode: 4-wire connection
Self-heating	0.4 K/mW at 0 °C
Response time	t 0.5 = 8 s / t 0.9 = 20 s in water at 0.2 m/s
Immersion depth (L)	1000 mm
<b>Mechanical data</b>	
Housing material	Stainless steel, 1.4404 (AISI 316L)
Process connection	For compression fittings, for direct mounting
Electrical connection	Connector, M12 × 1
Protection class	IP67
<b>Tests/approvals</b>	
UL registration number	E345414
<b>Reference conditions acc. to IEC 61298-1</b>	
Temperature	15...+25 °C
Atmospheric pressure	860...1060 hPa abs.
Humidity	45...75 % rel.

## Technical data

Auxiliary power	24 VDC
MTTF	2283 years acc. to SN 29500 (Ed. 99) 20 °C

## Technical data

Type	TP-306A-CF-H1141-L1000
ID	9910479
<b>Temperature range</b>	
Measuring range	-50...105 °C
Measuring range	-58...221 °F
Accuracy	±0.15 K + 0.002 • t  (-30...300 °C)
Self-heating	0.4 K/mW at 0 °C
Measuring element	Pt-100 probe, DIN EN 60751, class A, connection mode: 4-wire connection
Response time	t 0.5 = 8 s / t 0.9 = 20 s in water at 0.2 m/s
Immersion depth (L)	1000 mm
Outer diameter	6 mm
Length sleeve (l)	50 mm
Protection type and class	IP67
<b>Mechanical data</b>	
Housing material	Stainless steel, 1.4404 (AISI 316L)
Sensor material	Stainless steel, 1.4404 (AISI 316L)
Process connection	For compression fittings, for direct mounting
Electrical connection	Connector, M12 × 1
<b>Reference conditions acc. to IEC 61298-1</b>	
Temperature	15...+25 °C
Atmospheric pressure	860...1060 hPa abs.
Humidity	45...75 % rel.
Auxiliary power	24 VDC
<b>Tests/approvals</b>	
Approvals	cULus
UL registration number	E345414
MTTF	2283 years acc. to SN 29500 (Ed. 99) 20 °C