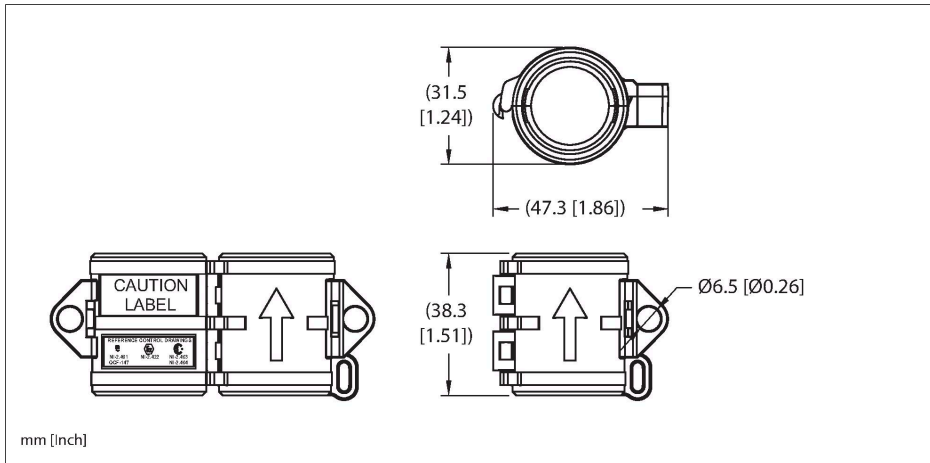


LOCK-MINI (10/BAG)

Hazardous Location Accessory – Lokfast guard

Minifast A-size straight



Features

- 7/8" minifast lokfast
- Locking device for straight Minifast standard connectors (RKM, RKV, RSM and RSV)
- 10 per bag

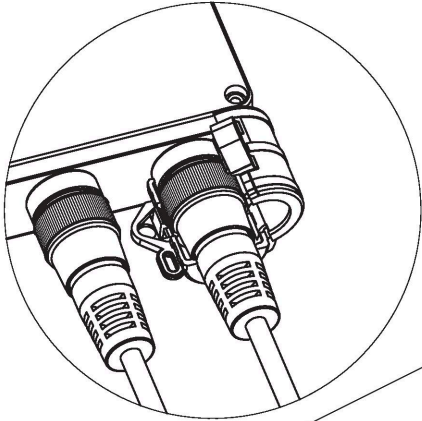
Technical data

Type	LOCK-MINI (10/BAG)
ID	A0884
Housing	Plastic, PA66, Black
Connector A	7/8"-16 UN
Note	

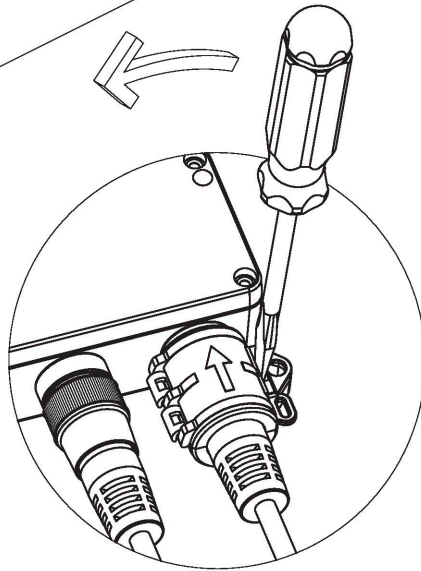
- We reserve the right to make technical alterations without prior notice.



Installation Instructions



TO INSTALL LOCKOUT DEVICE, PLACE AROUND CORDSET END AND CLOSE UNTIL CONNECTOR SNAPS CLOSED.



TO REMOVE LOCKOUT DEVICE, INSERT SMALL SCREWDRIVER INTO LOCKING GROOVE AS SHOWN IN PICTURE. ROTATE SCREWDRIVER IN DIRECTION SHOWN UNTIL LOCKING DEVICE RELEASES.