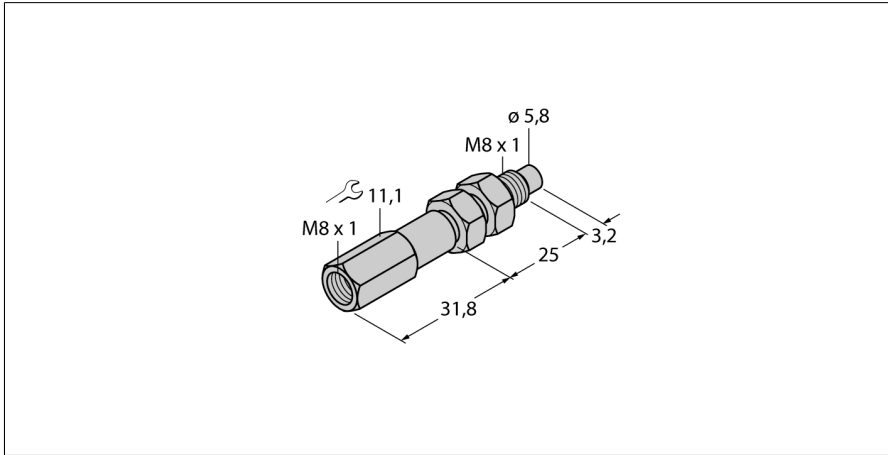
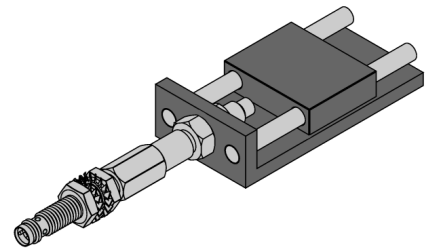


Accessories

DP-08-25-08



- Accessories for Bi1,5U-EG08-AP6X and Bi2-EG08-AP6X
- Converts an inductive sensor into a mechanical switch



Type	DP-08-25-08
ID	A2521
Design	Accessories for threaded barrels, M8
Dimensions	60 mm
Housing material	Metal, CuZn