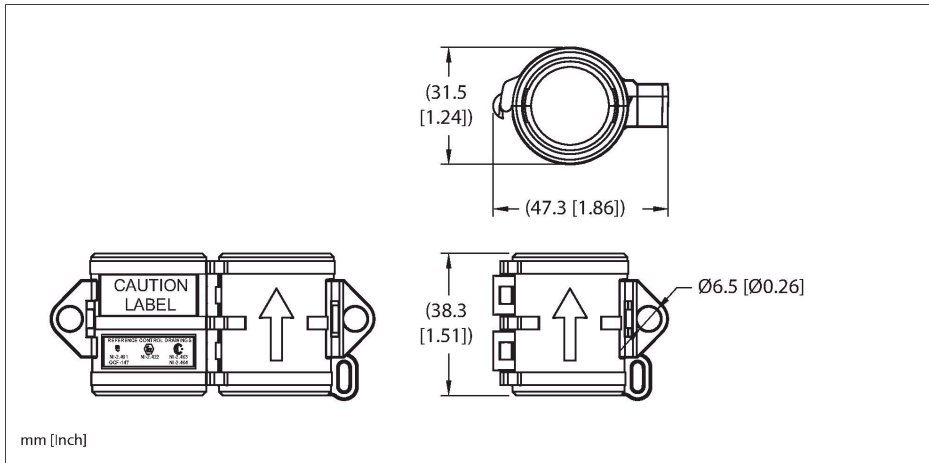


LOCK-MINI

Hazardous Location Accessory – Lokfast guard

Minifast A-size straight



Features

- 7/8" minifast lokfast
- Locking device for straight Minifast standard connectors (RKM, RKV, RSM and RSV)

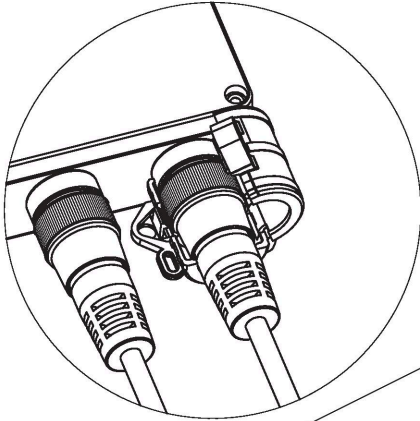
Technical data

Type	LOCK-MINI
ID	A9105
Housing	Plastic, PA66, Black
Connector A	7/8"-16 UN
Note	

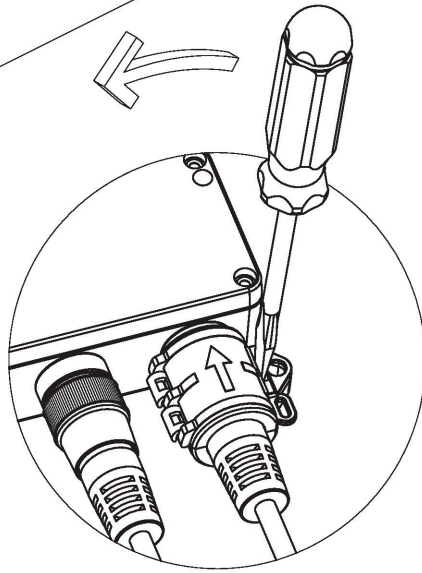
- We reserve the right to make technical alterations without prior notice.



Installation Instructions



TO INSTALL LOCKOUT
DEVICE, PLACE AROUND
CORDSET END AND CLOSE
UNTIL CONNECTOR SNAPS
CLOSED.



TO REMOVE LOCKOUT
DEVICE, INSERT SMALL
SCREWDRIVER INTO LOCKING
GROOVE AS SHOWN IN
PICTURE. ROTATE
SCREWDRIVER IN DIRECTION
SHOWN UNTIL LOCKING
DEVICE RELEASES.