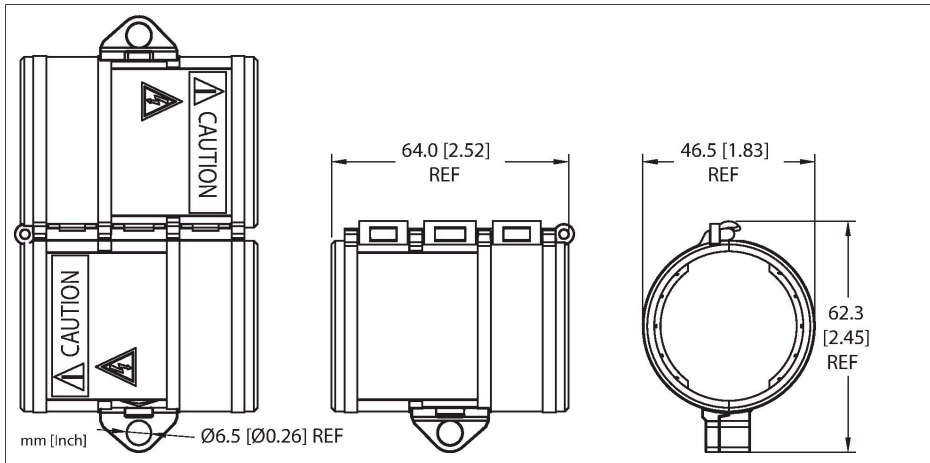


LOCK-D POWER

Power Accessory – Lokfast guard

D-size powerfast



Technical data

Type	LOCK-D POWER
ID	A9519
Housing	Plastic, PA66, Yellow
Connector A	1 1/8"-16 UN
Note	- We reserve the right to make technical alterations without prior notice.

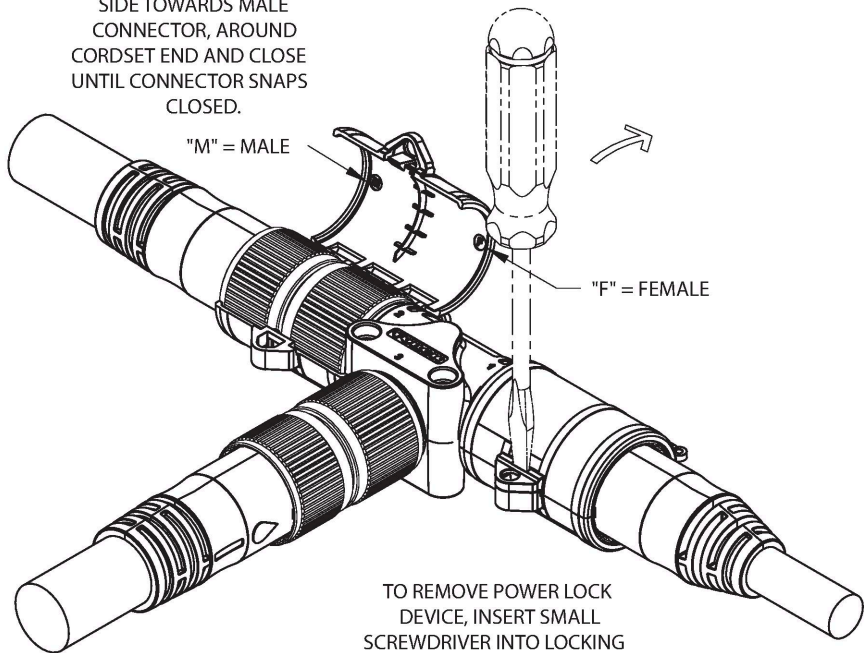
Features

- 1 3/8" D-size powerfast lokfast
- Locking device for D-Size powerfast straight and angled connectors



Installation Instructions

TO INSTALL POWER LOCK DEVICE, PLACE THE "M" SIDE TOWARDS MALE CONNECTOR, AROUND CORDSET END AND CLOSE UNTIL CONNECTOR SNAPS CLOSED.



TO REMOVE POWER LOCK DEVICE, INSERT SMALL SCREWDRIVER INTO LOCKING GROOVE AS SHOWN IN PICTURE. ROTATE SCREWDRIVER IN DIRECTION SHOWN UNTIL LOCKING DEVICE RELEASES.