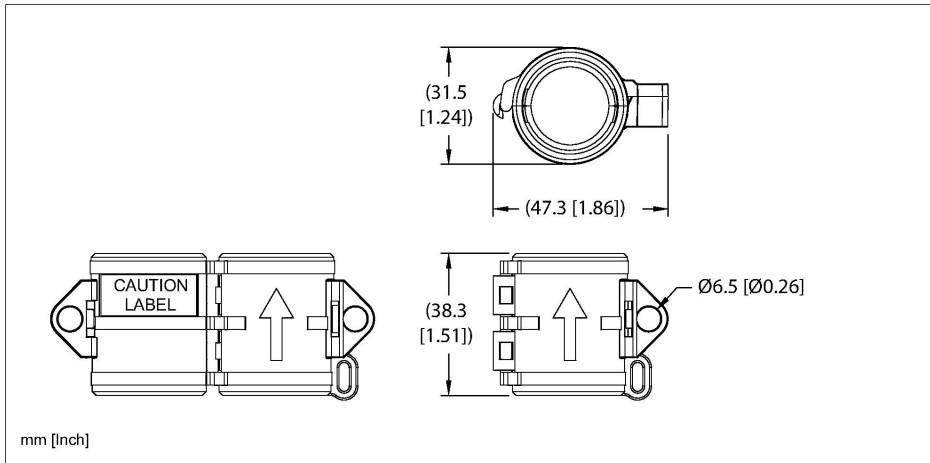


LOCK-A POWER

Power Accessory – Lokfast guard

Minifast A-size powerfast



Technical data

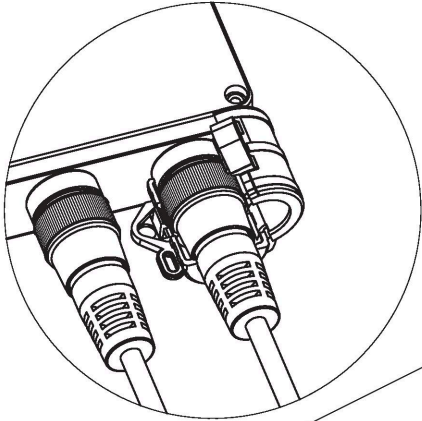
Type	LOCK-A POWER
ID	A9566
Housing	Plastic, PA66, Yellow
Connector A	7/8"-16 UN
Note	- We reserve the right to make technical alterations without prior notice.

Features

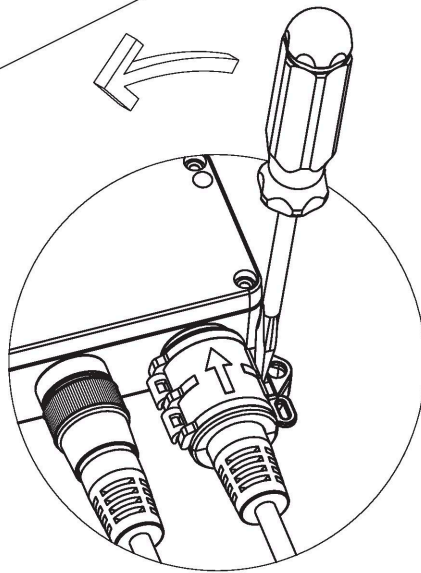
- 7/8" powerfast lokfast
- Locking device for straight Minifast standard connectors (RKM, RKV, RSM and RSV)



Installation Instructions



TO INSTALL LOCKOUT
DEVICE, PLACE AROUND
CORDSET END AND CLOSE
UNTIL CONNECTOR SNAPS
CLOSED.



TO REMOVE LOCKOUT
DEVICE, INSERT SMALL
SCREWDRIVER INTO LOCKING
GROOVE AS SHOWN IN
PICTURE. ROTATE
SCREWDRIVER IN DIRECTION
SHOWN UNTIL LOCKING
DEVICE RELEASES.