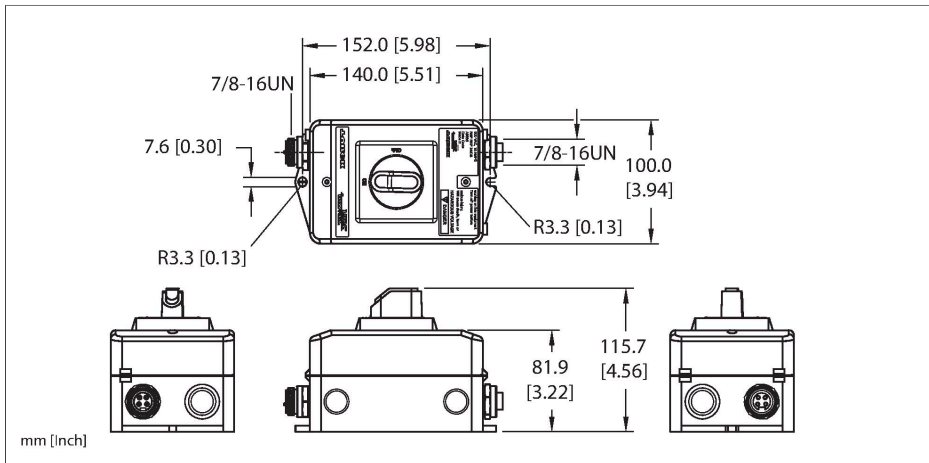


RSF RKF 44/DS

Power Accessory – Power disconnect switch



Technical data

Type	RSF RKF 44/DS
ID	A9668
Housing	Plastic, PC, White
Connector A	Male, 7/8"-16 UN
Number of contacts	4
Contacts	Brass, CuZn, Gold-plated
Contact carriers	Plastic, PVC, Black
Housing material/finish	Brass, CuZn, Nickel-plated
Tightening torque	2 Nm
Mechanical life	> 100 Mating cycles
Pollution degree	3
Protection class (When coupled)	IP65
	NEMA: 12
Connector B	Female, 7/8"-16 UN
Number of contacts	3
Contacts	Brass, CuZn, Gold-plated
Contact carriers	Plastic, PVC, Black
Housing material/finish	Brass, CuZn, Nickel-plated
Tightening torque	2 Nm
Mechanical life	> 100 Mating cycles
Pollution degree	3
Protection class (When coupled)	IP65
	NEMA: 12

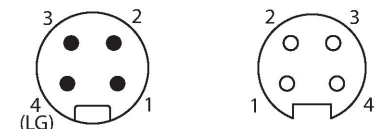
Features



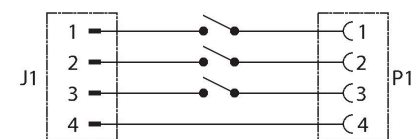
- Power disconnect switch
- 7/8", Male, Receptacle, 4 pin
- 7/8", Female, Receptacle, 4-pin

Contact assignment

Connector A (P1) Connector B (J1)



Circuit Diagram



Technical data

Electrical properties at +20 °C

Rated voltage 600 V(P1,J1)

Current 15 A (P1,J1)

Mechanical and chemical properties

Note

- CAUTION: RISK OF ELECTRICAL SHOCK. DO NOT DISCONNECT UNDER LOAD.

- We reserve the right to make technical alterations without prior notice.