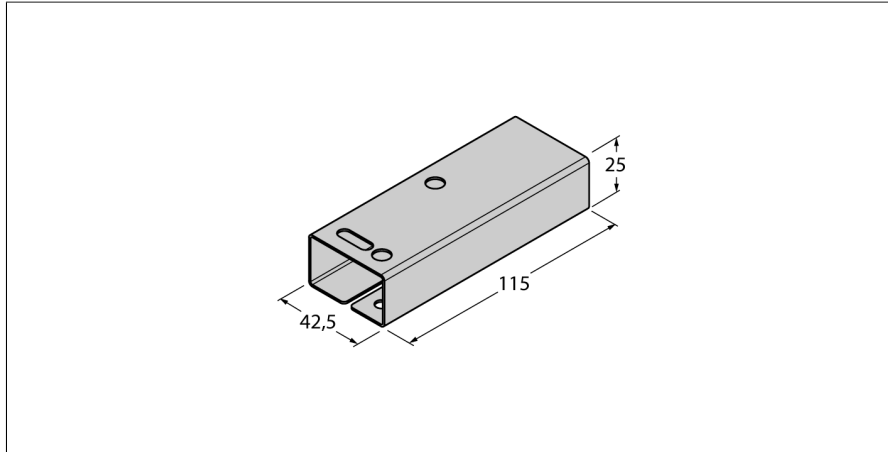


Accessories

Protective housing

For Inclinometers

GUARD-Q20L60



- Protective housing for Q20L60 inclinometers
- Material: Stainless steel, 1.4301
- For harsh environments
- Protects against mechanical impact such as falling rocks

Type	GUARD-Q20L60
ID	A9684
Design	Accessories for rectangular types
Dimensions	115 x 42.5 x 25 mm
Housing material	Stainless steel, 1.4301 (AISI 304)