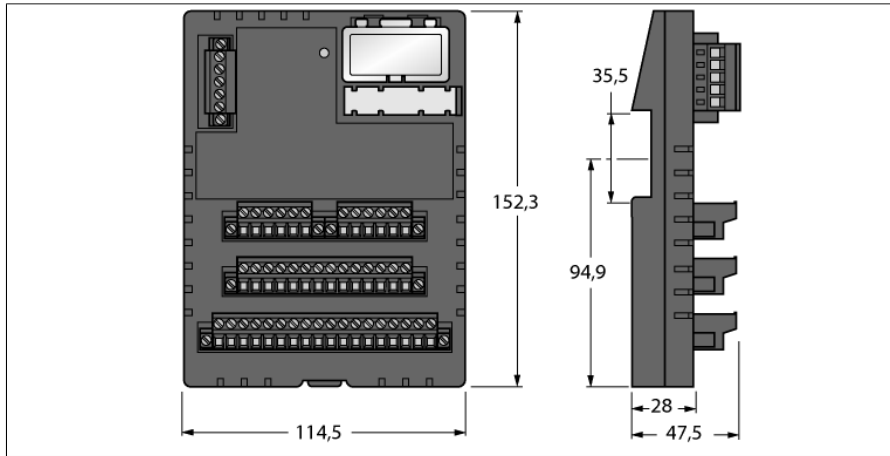
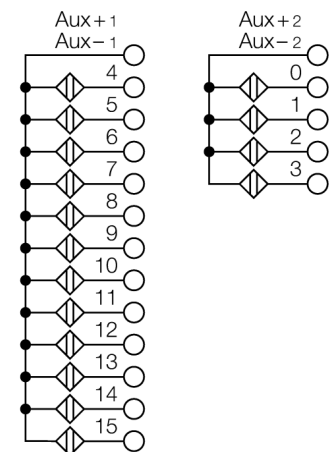
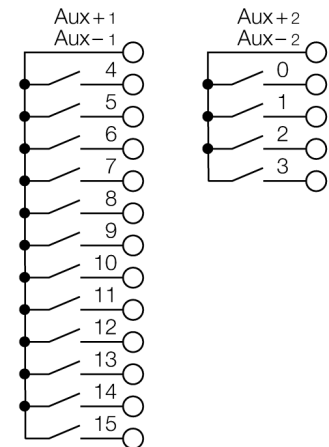


Compact I/O station for DeviceNet test us-english FDN20-16SN-16XSG



- Removable 5-pin screw-clamp terminal block, for DeviceNet fieldbus connection
- Rotary coding switch for setting the DeviceNet™ address
- 16 Kanäle DI
- 16 konfigurierbare Kanäle, DI oder DO
- 24VDC
- minusschaltend
- Ausgangsstrom: 0.5A
- Protection class IP20

Wiring Diagram



Type	FDN20-16SN-16XSG
ID	F1016
Operating voltage	11...26 VDC
Supply voltage	24 VDC
Output current	0.5 A (from DeviceNet™)
Output voltage	18...26 VDC
Protection class	IP20
Ambient temperature	-40...+70 °C