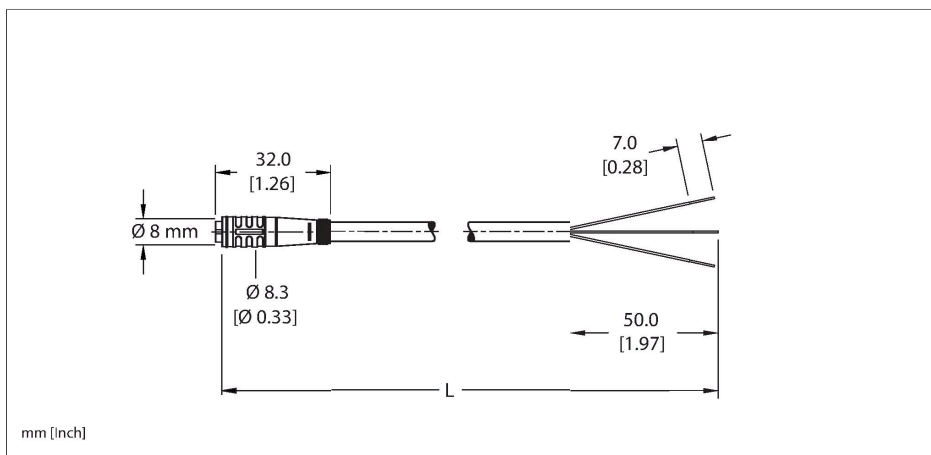


# PKG 3-0.3

## Actuator and Sensor Cordset – Connection Cable

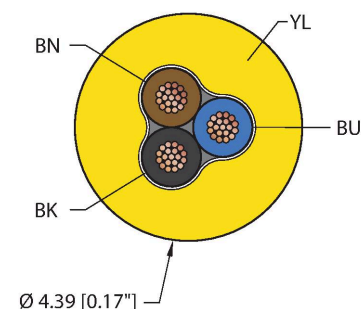


### Features



- M8, Female, Straight, 3-pin
- Snap-on Connector
- General Purpose Cable
- Yellow PVC jacket, 3X24 AWG
- -40 Cold Bend Rating
- Flame Ratings: UL1061, CSA FT1

### Cable cross section

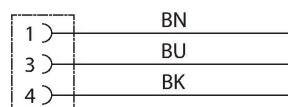


### Contact assignment

Connector A



### Circuit Diagram



### Technical data

Type	PKG 3-0.3
ID	U-46412
Connector A	Female, M8 - Ø 8 mm (snap), Straight
Design specification	Acc. to IEC 61076-2-104
Number of contacts	3
Contacts	Brass, CuZn, Gold-plated
Contact carriers	Plastic, Nylon or TPU, Black
Connector body	Plastic, TPU, Yellow
Mechanical life	> 100 Mating cycles
Pollution degree	3
Protection class (When coupled)	IP67
<b>Cable data</b>	
Cable ID	RF50642
Total number of conductors	3
Cable diameter	Ø 4.39 mm
Length (L)	0.3 m, (+50mm or 4% of length/-0.0, Whichever is greater)
Cable jacket	PVC, Yellow
Conductor diameter	0.044 "
Conductor material	TC (tinned copper)
Conductor insulation material	PVC
Conductor size	3 x 24 AWG [Similar to 0.25 mm <sup>2</sup> ]
Number of strands x O.D.	19 x 36 AWG
Conductor colors	BN, BU, BK

## Technical data

### Electrical properties at +20 °C

Rated voltage 125 VAC/DC

Current 4 A

### Mechanical and chemical properties

Bending radius (static)  $\geq 5 \times \varnothing$

Bending radius (dynamic)  $\geq 10 \times \varnothing$

UL cold bend rating -40 °C

Ambient temperature range (static) -40 °C...+105 °C

Ambient temperature range (dynamic) 5 °C...+105 °C

Temperature range (installation) -10 °C...+105 °C

### Approval

Approvals  
 UL 2238  
 CSA C22.2 No. 182.3  
 CE  
 UKCA  
 RoHS

### Note

- Flex ratings may be reduced if used in extreme temperatures, exposure to certain chemicals, operating above the rated cycle speed, or operating below the rated cable bend radius.

- We reserve the right to make technical alterations without prior notice.