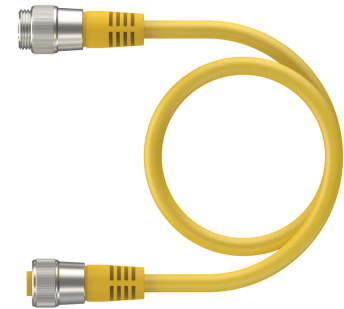
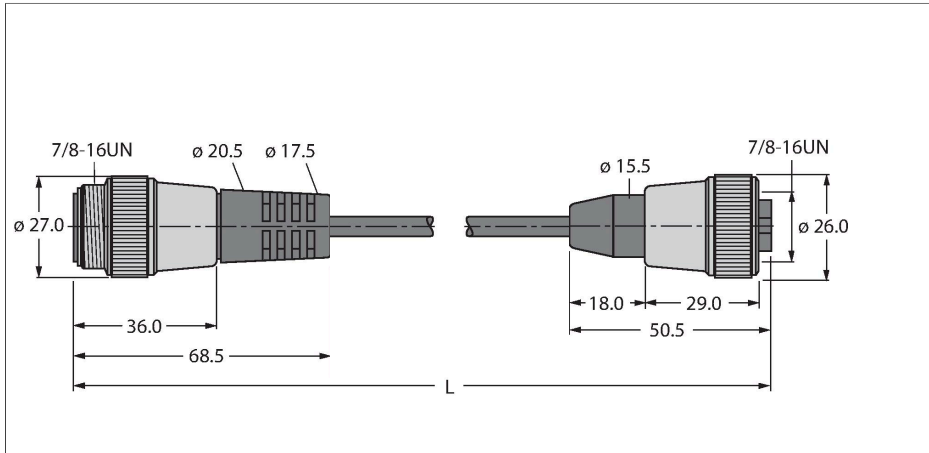


RSM RKM 56-8M/S3059

Power Cable – Extension Cable



Technische Daten

Type	RSM RKM 56-8M/S3059
ID	U-47178
Connector A	Male, 7/8"-16 UN, Straight
Number of contacts	5
Contacts	Metal, CuZn, Gold-plated
Contact carriers	Plastic, TPU, Yellow
Connector body	Plastic, TPU, Yellow
Coupling nut	Brass, CuZn, Nickel-plated
Tightening torque	2 Nm
Mechanical life	> 100 Mating cycles
Pollution degree	3
Protection class (When coupled)	IP67, When coupled
	NEMA: 1, 3, 4, 6P, 12
Connector B	Female, 7/8"-16 UN, Straight
Number of contacts	5
Contacts	Metal, CuZn, Gold-plated
Contact carriers	Plastic, TPU, Yellow
Connector body	Plastic, TPU, Yellow
Coupling nut	Brass, CuZn, Nickel-plated
Tightening torque	2 Nm
Mechanical life	> 100 Mating cycles
Pollution degree	3
Protection class (When coupled)	IP67, Only when screwed together
	NEMA: 1, 3, 4, 6P, 12

Features

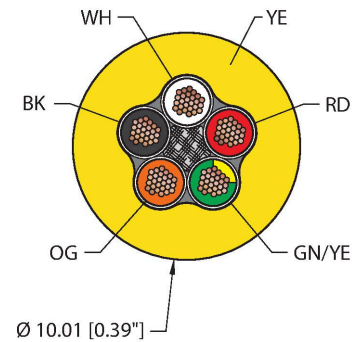


- Power cable: 5 × 16 AWG
- Jacket material: TPE,
- Jacket color: yellow
- Jacket diameter: 10 mm
- UL, CSA approval
- RoHS compliant
- Protection class IP67
- 7/8" female, straight
- 7/8" male, straight
- Cable length: 8.0 m
- 7/8" Male, Straight, 5-pin
- 7/8" Female, Straight, 5-pin
- Power Tray/Exposed Run/Direct Burial Cable
- Yellow TPE jacket, 5X16 AWG
- Sunlight Resistant
- -40 Cold Bend Rating
- Oil Resistant
- Flame Ratings: UL 1685 FT4, UL 1061, CSA FT1, CSA FT4

Cable cross section

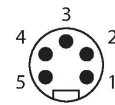
Technische Daten

Cable data	
Cable ID	RF51715
Total number of conductors	5
Cable diameter	Ø 10 mm
Length (L)	8 m, (+50mm or 4% of length/-0.0, Whichever is greater)
Cable jacket	TPU, Yellow
Conductor diameter	0.105 "
Conductor material	BC (bare copper)
Conductor insulation material	PVC
Conductor size	5 x 1.31 mm ² x 16 AWG [Similar to 1.50 mm ²]
Number of strands x O.D.	65 x 34 AWG
Conductor colors	WH, GN, YE, GY, BN, BU
Electrical properties at +20 °C	
Rated voltage	600 V
Current	10 A
Mechanical and chemical properties	
Bending radius (static)	≥ 5 x Ø
Bending radius (dynamic)	≥ 10 x Ø
UL cold bend rating	-40 °C
Ambient temperature range (static)	-40...+90 °C
Ambient temperature range (dynamic)	-40...+90 °C
Temperature range (installation)	-10...+90 °C
Other Features	
Approval	
Approvals	UL CSA
Note	
<p>- Flex ratings may be reduced if used in extreme temperatures, exposure to certain chemicals, operating above the rated cycle speed, or operating below the rated cable bend radius.</p> <p>- We reserve the right to make technical alterations without prior notice.</p>	

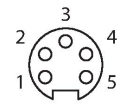


Contact assignment

Connector A



Connector B



Functional principle

„S3059“ designates weldlife TPE cable with TC-ER rating and CSA FT4 flame rating

Circuit Diagram

