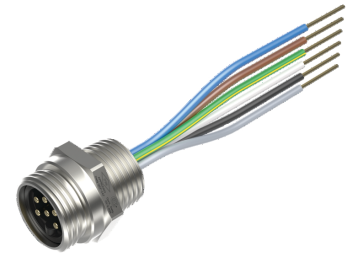
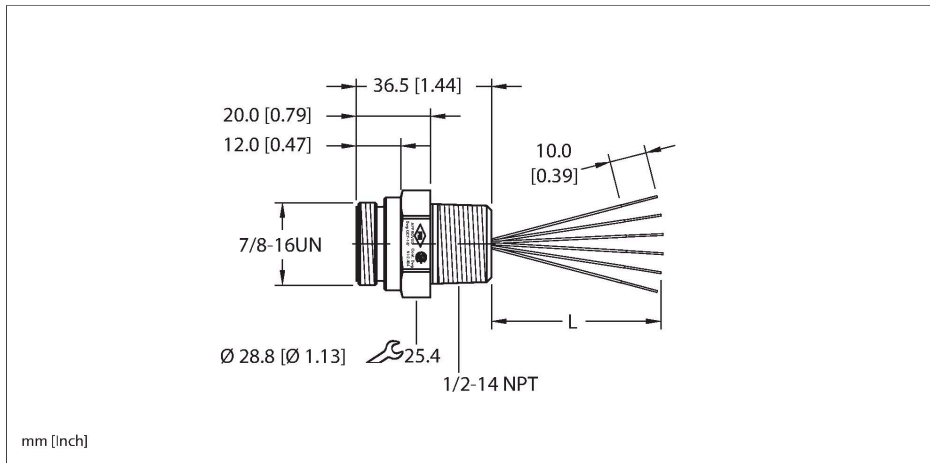


# P-RSFV 66D EX-1/14.5/NPT

## Hazardous Location Receptacle – Front Mount



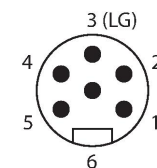
### Features



- 7/8" minifast, Male, Receptacle, 6-pin
- Mounting thread: 1/2"-14 NPT
- Explosion-proof feedthrough

### Contact assignment

Connector A



### Circuit Diagram



### Technical data

Type	P-RSFV 66D EX-1/14.5/NPT
ID	U-48868
Connector A	Male, 7/8"-16 UN
Number of contacts	6
Contacts	Brass, CuZn, Gold-plated
Contact carriers	Plastic, TPU, Black
Housing material/finish	Stainless Steel, 1.4401 (AISI 316), Passivated
Tightening torque	2 Nm
Mounting orientation	Front mount
Mounting thread	1/2"-14 NPT
Receptacle mounting torque	3.5...10.2 Nm
Mechanical life	> 100 Mating cycles
Pollution degree	3
Protection class (When coupled)	IP67, IP68, IP69, IP69K
	NEMA: 1, 3, 4, 4X, 6P, 12
Total number of conductors	6
Length (L)	1 m
Conductor material	TC (tinned copper)
Conductor insulation material	PVC
Conductor size	6 x 16 AWG [Similar to 1.50 mm <sup>2</sup> ]
Conductor colors	BU, BN, GN/YE, WH, BK, GY
<b>Electrical properties at +20 °C</b>	
Rated voltage	600 V

Technical data

Current 8 A

Mechanical and chemical properties

Ambient temperature range (static) -55...+105 °C

Approvals  
 UL 2238  
 UL Div. 2  
 FM Div.2  
 CSA Div. 2  
 CE  
 RoHS

Note

- CAUTION: RISK OF ELECTRICAL SHOCK. DO NOT DISCONNECT UNDER LOAD.

- We reserve the right to make technical alterations without prior notice.

Front panel mounting

