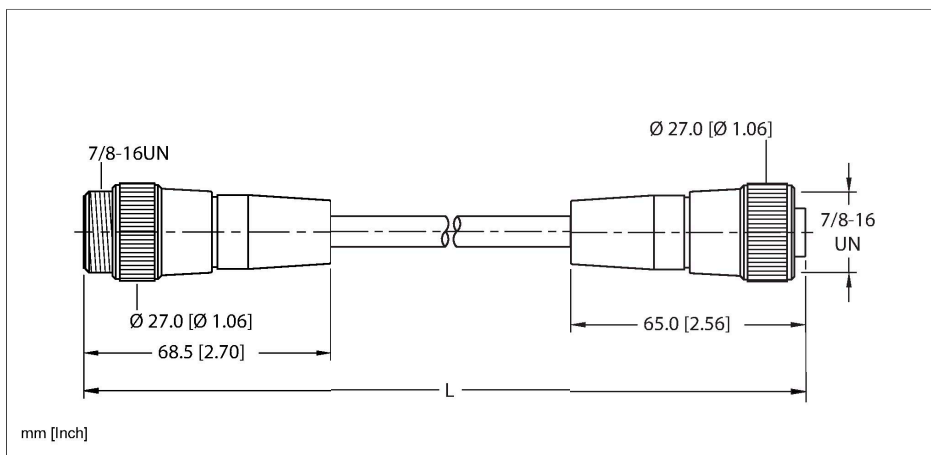


RSM RKM 34-5M

Power Cordset – Extension Cable



Technical data

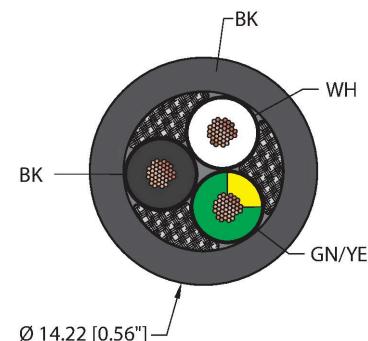
| | |
|---------------------------------|------------------------------|
| Type | RSM RKM 34-5M |
| ID | U-51645 |
| Connector A | Male, 7/8"-16 UN, Straight |
| Number of contacts | 3 |
| Contacts | Brass, CuZn, Gold-plated |
| Contact carriers | Plastic, PVC, Black |
| Connector body | Plastic, PVC, Black |
| Coupling nut | Brass, CuZn, Nickel-plated |
| Tightening torque | 2 Nm |
| Mechanical life | > 100 Mating cycles |
| Pollution degree | 3 |
| Protection class (When coupled) | IP67, IP68, IP69, IP69K |
| | NEMA: 1, 3, 4, 6P, 12 |
| Connector B | Female, 7/8"-16 UN, Straight |
| Number of contacts | 3 |
| Contacts | Brass, CuZn, Gold-plated |
| Contact carriers | Plastic, PVC, Black |
| Connector body | Plastic, PVC, Black |
| Coupling nut | Brass, CuZn, Nickel-plated |
| Tightening torque | 2 Nm |
| Mechanical life | > 100 Mating cycles |
| Pollution degree | 3 |
| Protection class (When coupled) | IP67, IP68, IP69, IP69K |
| | NEMA: 1, 3, 4, 6P, 12 |

Features



- 7/8" Male, Straight, 3-pin
- 7/8" Female, straight, 3-pin
- Power Tray/Exposed Run/Direct Burial Cable
- Black TPE jacket, 3X14 AWG
- Sunlight Resistant
- -40 Cold Bend Rating
- Oil Resistant
- Flame Ratings: UL 1685 FT4, UL 1100, CSA FT1, CSA FT4

Cable cross section

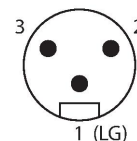


Contact assignment

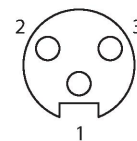
Technical data

| Cable data | |
|--|---|
| Cable ID | RF51671 |
| Total number of conductors | 3 |
| Cable diameter | Ø 14.22 mm |
| Length (L) | 5 m, (+50mm or 4% of length/-0.0, Whichever is greater) |
| Cable jacket | TPE, Black |
| Conductor diameter | 0.177 " |
| Conductor material | BC (bare copper) |
| Conductor insulation material | PVC/Nylon (Nylon overcoat) |
| Conductor size | 3 x 14 AWG [Similar to 2.50 mm ²] |
| Number of strands x O.D. | 41 x 30 AWG |
| Conductor colors | GNYE, BK, WH |
| Electrical properties at +20 °C | |
| Rated voltage | 600 V |
| Current | 21 A |
| Mechanical and chemical properties | |
| Bending radius (static) | ≥ 5 x Ø |
| Bending radius (dynamic) | ≥ 10 x Ø |
| UL cold bend rating | -40 °C |
| Ambient temperature range (static) | -40...+90 °C |
| Ambient temperature range (dynamic) | 5...+90 °C |
| Temperature range (installation) | -10...+90 °C |
| Approval | |
| Approvals | UL 2237 |
| Note | |
| - CAUTION: RISK OF ELECTRICAL SHOCK. DO NOT DISCONNECT UNDER LOAD. | |
| - Flex ratings may be reduced if used in extreme temperatures, exposure to certain chemicals, operating above the rated cycle speed, or operating below the rated cable bend radius. | |
| - We reserve the right to make technical alterations without prior notice. | |

Connector A



Connector B



Circuit Diagram

