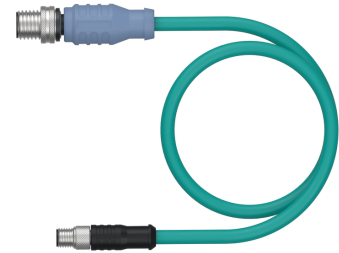
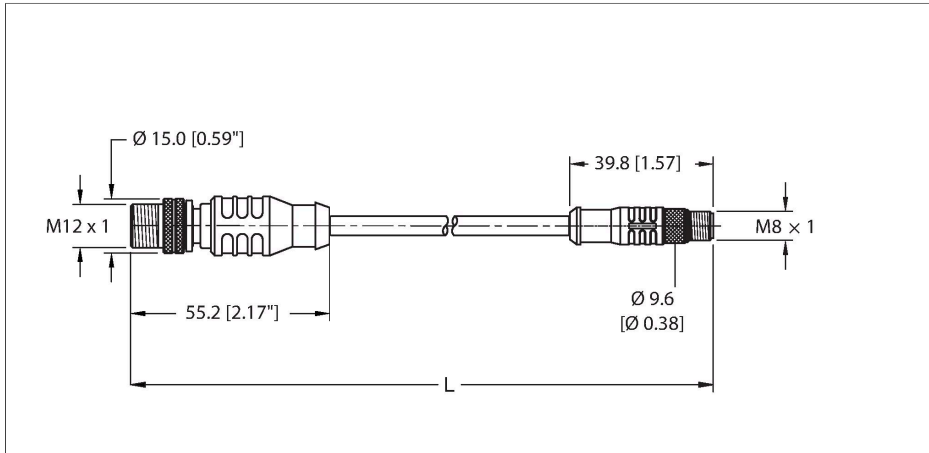


RSSD PSGS 4M 4413-2M

Industrial Ethernet Cable – Extension Cable



Technical data

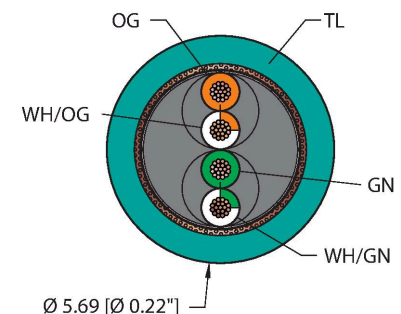
| | |
|---------------------------------|---|
| Type | RSSD PSGS 4M 4413-2M |
| ID | U-58841 |
| Connector A | Male, M12 × 1, Straight, D-code |
| Number of contacts | 4 |
| Contacts | Brass, CuZn, Gold-plated |
| Contact carriers | Plastic, TPU, Black |
| Connector body | Plastic, TPU, Blue gray |
| Coupling nut | Brass, CuZn, Nickel-plated |
| Tightening torque (range) | 0.8 ... 1 Nm (note max. torque of mating connector!) |
| Mechanical life | > 100 Mating cycles |
| Pollution degree | 3 |
| Protection class (When coupled) | IP67 |
| Connector B | Male, M8 × 1, Straight |
| Design specification | Acc. to IEC 61076-2-104 |
| Number of contacts | 4 |
| Contacts | Brass, CuZn, Gold-plated |
| Contact carriers | Plastic, Nylon or TPU, Black |
| Connector body | Plastic, TPU, Yellow |
| Coupling nut | Brass, CuZn, Nickel-plated |
| Tightening torque | 0.4 ... 0.8 Nm (note max. torque of mating connector!) |
| Mechanical life | > 100 Mating cycles |
| Pollution degree | 3 |
| Protection class (When coupled) | IP68 |

Features



- M12, Male, Straight, 4-pin
- Shield to coupling nut
- D-code
- M8, Male, Straight, 4-pin
- Threaded Connector
- Shielded to coupling nut
- Industrial Ethernet Cable
- TPU jacket, Teal, shielded, 2UTPX26 AWG-40 Cold Bend Rating
- Flexlife® and C-Track Approved

Cable cross section



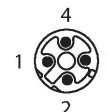
Contact assignment

RSSD PSGS 4M 4413-2M | 12/08/2025 22-25 | technical changes reserved

Technical data

| Cable data | |
|-------------------------------------|--|
| Cable ID | RF52602 |
| Fieldbus | Ethernet, 4413/4410 |
| Total number of conductors | 4 |
| Cable diameter | Ø 5.69 mm |
| Length (L) | 2 m |
| Cable jacket | TPU, Teal |
| Shielding | Aluminum/polyester (OUT), 38 AWG, TC (Tinned Copper), 75% coverage |
| Conductor material | TC (tinned copper) |
| Conductor size | 4 |
| Conductor colors | OG, WH/OG, GN, WH/GN |
| Sub assembly 1 | |
| Description of assembly | UTP (Unshielded Twisted Pair) |
| Number of pairs | 2 |
| Conductor diameter | 0.037 " |
| Conductor insulation material | HDPE |
| Cable conductor cross-section | 2x26 AWG [Similar to 0.14 mm ²] |
| Number of strands x O.D. | 19x38 AWG |
| Electrical properties at +20 °C | |
| Rated voltage | 60 VAC/DC |
| Rated voltage | 30 V _{AC} /42 V _{DC} |
| Current | 1.5 A |
| Mechanical and chemical properties | |
| Bending radius (static) | ≥ 4 x Ø |
| Bending radius (dynamic) | ≥ 10 x Ø |
| Bending radius (C-track) | ≥ 4 In. |
| Bending cycles (C-track) | 15 Million * |
| Torsional stress | ± 360 °/m |
| Torsion rating | Max. 5 million |
| Torsional stress | 52 Cycles/min |
| UL cold bend rating | -40 °C |
| | *When properly installed @ 20°C, 50%RH, and a cycle speed of ≤0.5 cycles per second. |
| C-Track | Yes |
| Ambient temperature range (static) | -40...+80 °C |
| Ambient temperature range (dynamic) | 5...+80 °C |
| Temperature range (installation) | -10...+80 °C |

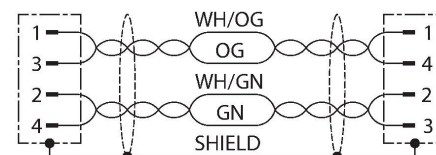
Connector A



Connector B



Circuit Diagram



Technical data

Approval

| | |
|-----------|--------------------|
| Approvals | CE UKCA RoHS |
|-----------|--------------------|

Note

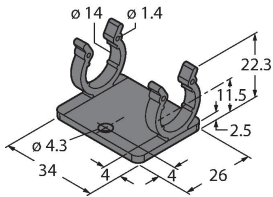
- Flex ratings may be reduced if used in extreme temperatures, exposure to certain chemicals, operating above the rated cycle speed, or operating below the rated cable bend radius.

- We reserve the right to make technical alterations without prior notice.

Accessories

M12-CORDSETS-MOUNTING-CLIP-(10/BAG)

100016882



10 Pack of black mounting clips and M4x8mm mounting screws, used to secure cable to cable connection points.