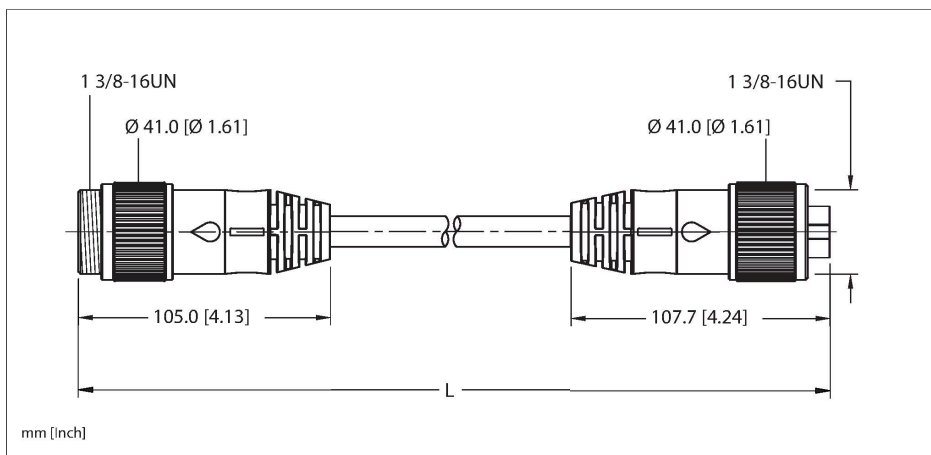


# GSDA GKDA 40-18M

## Power Cable, TPE – Extension Cable



### Technische Daten

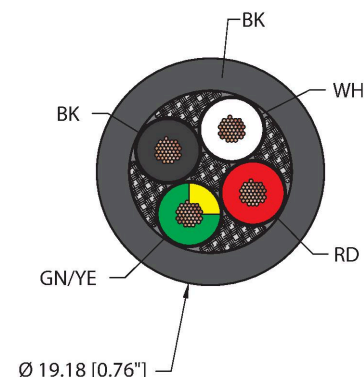
Type	GSDA GKDA 40-18M
ID	U-74601
Connector A	Male, 1 3/8"-16 UN, Straight
Contacts	Brass, CuZn, Gold-plated
Contact carriers	Plastic, PVC, Black
Connector body	Plastic, PVC, Black
Coupling nut	Brass, CuZn, Nickel-plated
Protection class (When coupled)	IP67, IP68, IP69, IP69K
	NEMA: 1, 3, 4, 6P
Connector B	Female, 1 3/8"-16 UN, Straight
Number of contacts	4
Contacts	Brass, CuZn, Gold-plated
Contact carriers	Plastic, PVC, Black
Connector body	Plastic, PVC, Black
Coupling nut	Brass, CuZn, Nickel-plated
Protection class (When coupled)	IP67, IP68, IP69, IP69K
	NEMA: 1, 3, 4, 6P
Cable data	
Cable ID	RF51666
Total number of conductors	4
Cable diameter	Ø 19.18 mm
Length (L)	18 m
Cable jacket	TPE, Black
Conductor diameter	0.227 "

### Features



- 1 3/8-16UN male connector, straight, 4-pin
- 1 3/8-16UN female connector, straight, 4-pin
- Jacket material: TPE
- Jacket color: black
- Jacket diameter: 19.2 mm
- Protection class: IP67, IP68, IP69K
- 1-3/8" Male, Straight, 4-pin
- 1-3/8" Female, Straight, 4-pin
- Power Tray/Exposed Run/Direct Burial Cable
- Black TPE jacket, 4X10 AWG
- Sunlight Resistant
- -40 Cold Bend Rating
- Oil Resistant
- Flame Ratings: UL 1685 FT4, UL 1100, CSA FT1, CSA FT4

### Cable cross section



## Technische Daten

Conductor material	BC (bare copper)
Conductor insulation material	PVC/Nylon (Nylon overcoat)
Conductor size	4 x 10 AWG [Similar to 6.00 mm <sup>2</sup> ]
Number of strands x O.D.	105 x 30 AWG
Conductor colors	WH, RD, GN/YE, BK
<b>Electrical properties at +20 °C</b>	
Rated voltage	600 V
Rated voltage	600 V <sub>Ac</sub>
Current	35 A
<b>Mechanical and chemical properties</b>	
Bending radius (static)	≥ 5 x Ø
Bending radius (dynamic)	≥ 10 x Ø
UL cold bend rating	-40 °C
Ambient temperature range (static)	-40...+90 °C
Ambient temperature range (dynamic)	5...+90 °C
Temperature range (installation)	-10...+90 °C
<b>Approval</b>	
Approvals	UL 2237 CE UKCA RoHS
<b>Note</b>	
	- CAUTION: RISK OF ELECTRICAL SHOCK. DO NOT DISCONNECT UNDER LOAD.
	- Flex ratings may be reduced if used in extreme temperatures, exposure to certain chemicals, operating above the rated cycle speed, or operating below the rated cable bend radius.
	- We reserve the right to make technical alterations without prior notice.

## Contact assignment

