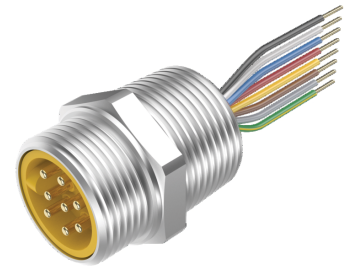
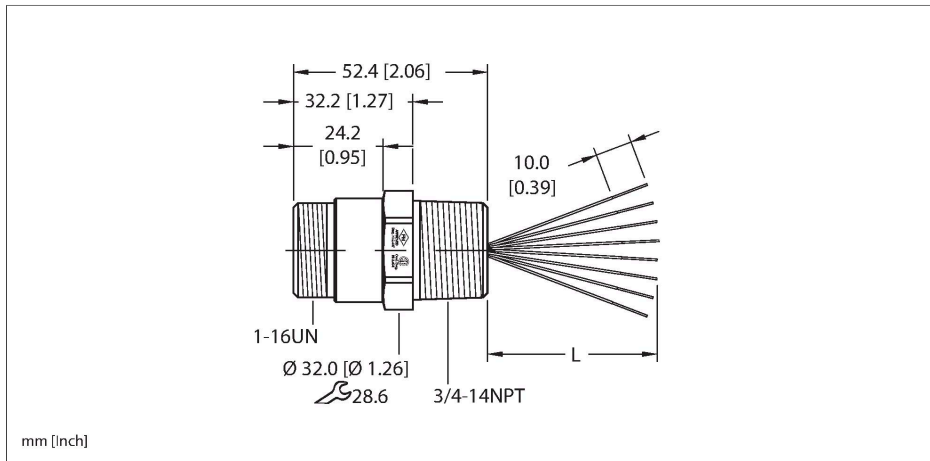


# P-RSFV 80 EX-1/14.75/NPT

## Power Receptacle – Front Mount



### Technical data

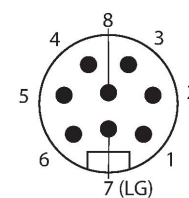
Type	P-RSFV 80 EX-1/14.75/NPT
ID	U-75965
Connector A	Male, 1"-16 UN
Number of contacts	8
Contacts	Brass, CuZn, Gold-plated
Contact carriers	Plastic, TPU, Yellow
Housing material/finish	Stainless Steel, 1.4401 (AISI 316), Passivated
Tightening torque	2 Nm
Mounting thread	3/4"-14 NPT
Receptacle mounting torque	3.5...10.2 Nm
Mechanical life	> 100 Mating cycles
Pollution degree	3
Protection class (When coupled)	IP67, IP68, IP69, IP69K
	NEMA: 1, 3, 4, 4X, 6P, 12
Total number of conductors	8
Length (L)	1 m
Conductor material	TC (tinned copper)
Conductor insulation material	PVC
Conductor size	16 AWG [Similar to 1.50 mm <sup>2</sup> ]
Conductor colors	BK, WH, BU, RD, YE, BN, GY, GN/YE
<b>Electrical properties at +20 °C</b>	
Rated voltage	600 V
Current	8 A

### Features

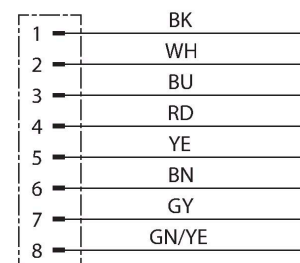
- 
- 1" minifast, Male, Receptacle, 8 pin
- Mounting thread: 3/4"-14 NPT
- Explosion-proof feedthrough

### Contact assignment

Connector A



### Circuit Diagram



Technical data

Mechanical and chemical properties

Ambient temperature range (static) -55...+105 °C

Approvals FM Div.2  
CSA Div. 2  
RoHS

Note

- CAUTION: RISK OF ELECTRICAL SHOCK. DO NOT DISCONNECT UNDER LOAD.

- We reserve the right to make technical alterations without prior notice.

Front panel mounting

