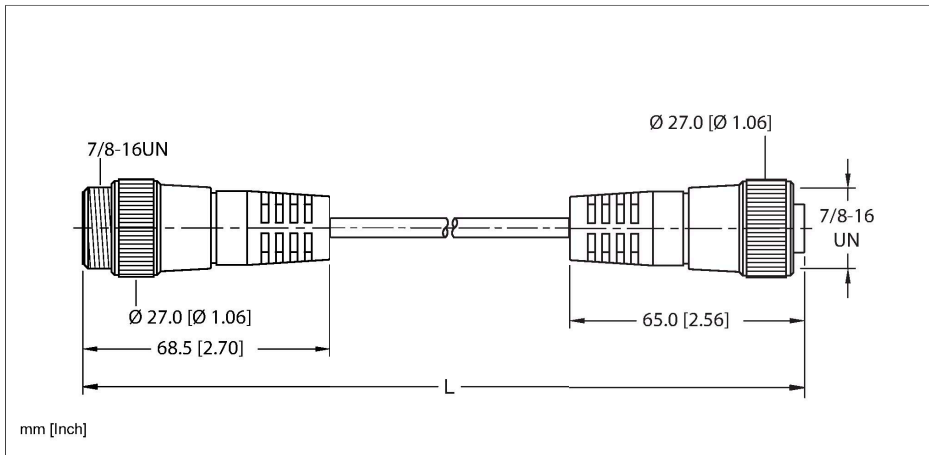


# P-RSV RKV 66-2176XL-5M

## Hazardous Location Cordset – Extension Cable



### Technical data

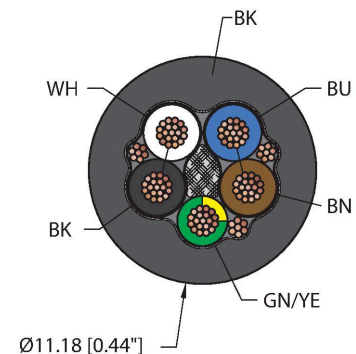
Type	P-RSV RKV 66-2176XL-5M
ID	U-82191
Connector A	Male, 7/8"-16 UN, Straight
Number of contacts	6
Contacts	Brass, CuZn, Gold-plated
Contact carriers	Plastic, TPU, Yellow
Connector body	Plastic, TPU, Yellow
Coupling nut	Stainless Steel, 316 (1.4404), Passivated
Tightening torque	2 Nm
Mechanical life	> 100 Mating cycles
Pollution degree	3
Protection class (When coupled)	IP67, IP68, IP69, IP69K
	NEMA: 1, 3, 4, 4X, 6P, 12
Connector B	Female, 7/8"-16 UN, Straight
Number of contacts	6
Contacts	Brass, CuSn, Gold-plated
Contact carriers	Plastic, TPU, Yellow
Connector body	Plastic, TPU, Yellow
Coupling nut	Stainless Steel, 316 (1.4404), Passivated
Tightening torque	2 Nm
Mechanical life	> 100 Mating cycles
Pollution degree	3
Protection class (When coupled)	IP67, IP68, IP69, IP69K
	NEMA: 1, 3, 4, 4X, 6P, 12

### Features



- 7/8" Male, Straight, 6-pin
- 7/8" Female, Straight, 6-pin
- Shielded Twisted Pair
- Extremelife™ Cable
- fieldbus type: FOUNDATION™ fieldbus, Black EX60 jacket, shielded, 2SPX18+1X18 AWG
- Sunlight Resistant
- -60°C Cold Bend Rating
- -40°C Cold Impact Rating
- Oil Resistant
- Flame Ratings: UL 1685 FT4, IEEE 1202 FT4, CSA FT1, CSA FT4, IEC 60332-3-22

### Cable cross section



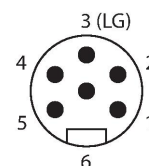
P-RSV RKV 66-2176XL-5M | 01/15/2026 21-55 | technical changes reserved

## Technical data

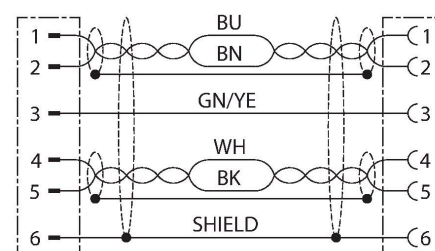
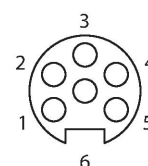
Cable data	
Cable ID	RF52176
Total number of conductors	5
Cable diameter	Ø 11.18 mm
Length (L)	5 m
Cable jacket	EX60, Black
Shielding	Aluminum/polyester (IN), 20 AWG, TC (Tinned Copper)
Conductor diameter	0.106 "
Conductor material	TC (tinned copper)
Conductor insulation material	XLPE
Conductor size	1 x 18 AWG [Similar to 0.75 mm <sup>2</sup> ]
Number of strands x O.D.	19 x 0.0092 "
Conductor colors	BU, BN, GN/YE, WH, BK
Description of assembly	STPD (Shielded Twisted Pair, Drain)
Number of pairs	2
Conductor diameter	0.106 "
Conductor insulation material	XLPE
Assembly drain	20 AWG, TC (Tinned Copper)
Assembly foil	Aluminum/polyester (IN)
Cable conductor cross-section	2x18 AWG [Similar to 0.75 mm <sup>2</sup> ]
Number of strands x O.D.	19x0.0092 "
Electrical properties at +20 °C	
Rated voltage	600 V
Current	8 A
Mechanical and chemical properties	
Bending radius (static)	≥ 5 x Ø
Bending radius (dynamic)	≥ 15 x Ø
UL cold bend rating	-60 °C
UL cold impact rating	-40 °C
Ambient temperature range (static)	-60...+105 °C
Ambient temperature range (dynamic)	-40...+105 °C
Temperature range (installation)	-20...+105 °C
Approval	
Approvals	UL 2238 FM Div.2 CSA Div. 2 CSA C22.2 No. 182.3 CE RoHS

## Contact assignment

Connector A



Connector B



## Technical data

### Note

---

- CAUTION: RISK OF ELECTRICAL SHOCK. DO NOT DISCONNECT UNDER LOAD.

---

- Flex ratings may be reduced if used in extreme temperatures, exposure to certain chemicals, operating above the rated cycle speed, or operating below the rated cable bend radius.

---

- We reserve the right to make technical alterations without prior notice.

---