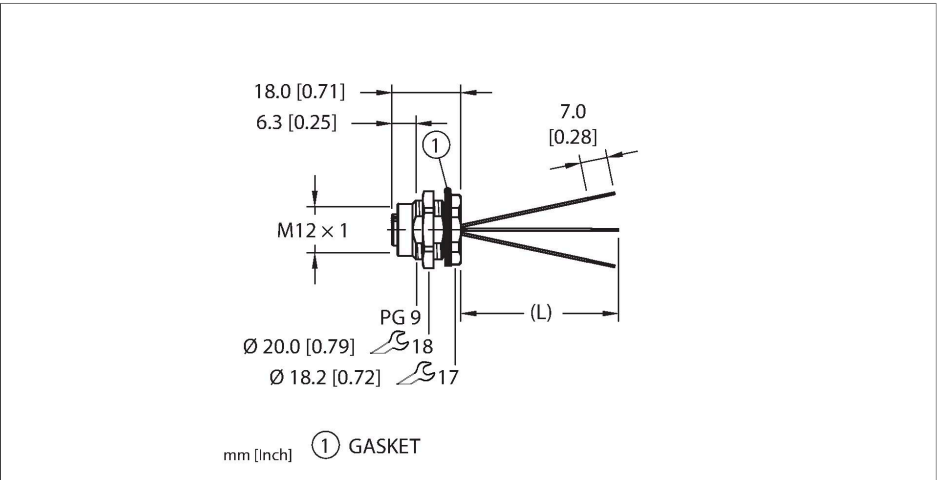


FKFD 4-0.6 Actuator and Sensor Receptacle – Rear Mount



Technical data

Type	FKFD 4-0.6
ID	U-86977
Connector A	Female, M12 × 1, A-code
Design specification	Acc. to IEC 61076-2-101
Number of contacts	4
Contacts	Bronze, CuSn, Gold-plated
Contact carriers	Plastic, TPU, Black
Connector seal	O-ring, Plastic, FKM/FPM
Housing material/finish	Brass, CuZn, Nickel-plated
Tightening torque (range)	0.4 ... 1.8 Nm (note max. torque of mating connector!)
Mounting orientation	Rear mount
Panel seal	O-ring, NBR
Mounting thread	PG9
Locknut	Brass, CuZn, Nickel-plated
Receptacle mounting torque	2.5...6.8 Nm
Mechanical life	> 100 Mating cycles
Pollution degree	3
Protection class (When coupled)	IP68
	NEMA: 1, 3, 4, 6P
Total number of conductors	3
Length (L)	0.6 m
Conductor material	TC (tinned copper)
Conductor insulation material	PVC

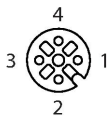
Features



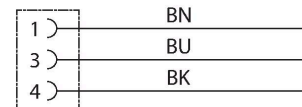
- M12, Female, Receptacle, 3-pin
- Mounting thread: PG9

Contact assignment

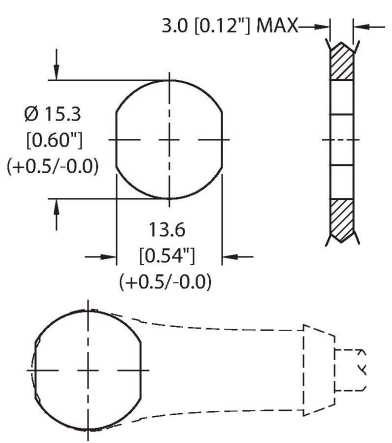
Connector A



Circuit Diagram



Mounting hole - Through

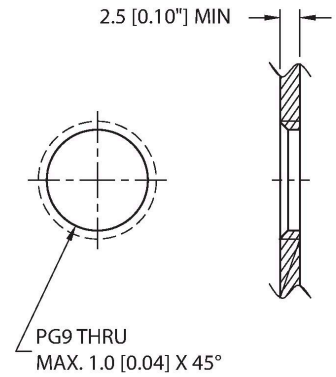


FKFD 4-0.6 | 09/16/2025 16-47 | technical changes reserved

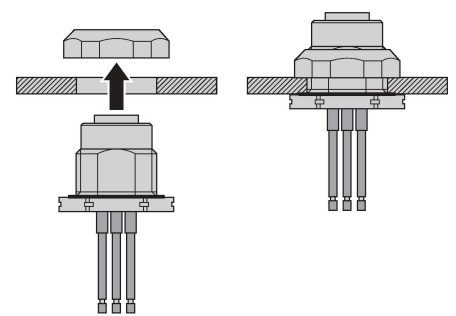
Technical data

Conductor size	22 AWG [Similar to 0.34 mm ²]
Conductor colors	BN, BU, BK
Electrical properties at +20 °C	
Rated voltage	250 V
Current	4 A
Mechanical and chemical properties	
Ambient temperature range (static)	-40...+105 °C
Approvals	UL 2238 CSA C22.2 No. 182.3 CE UKCA RoHS
Note	
- We reserve the right to make technical alterations without prior notice.	

Mounting hole - Threaded



Rear-mounted



Accessories

FK(S)FD-TOOL **A2550**

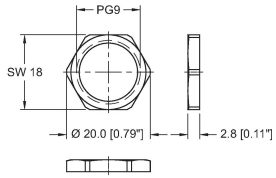
Tool, knockout hole punch, receptacle-mounting hole. Accommodates PG9 threads.

DECAL,9-CLRS,RECEPT+BOXES,EURO(QTY1) **100008955**

1 decal sticker containing 9 different color sets of 11 decals to color code a sensor, junction block port, cable end, or receptacle. 5ct 4x9mm rectangles, 4ct 8x19mm rectangles, 1ct 27mm ID ring, 1ct 20mm ID ring.

FKFD 4-0.6 | 09/16/2025 16-47 | technical changes reserved

Accessories

LOCKNUT-PG9-BRASS-(10/BAG)**100016624**

Locknut, PG9, Brass, Nickel-plated, 10 per bag