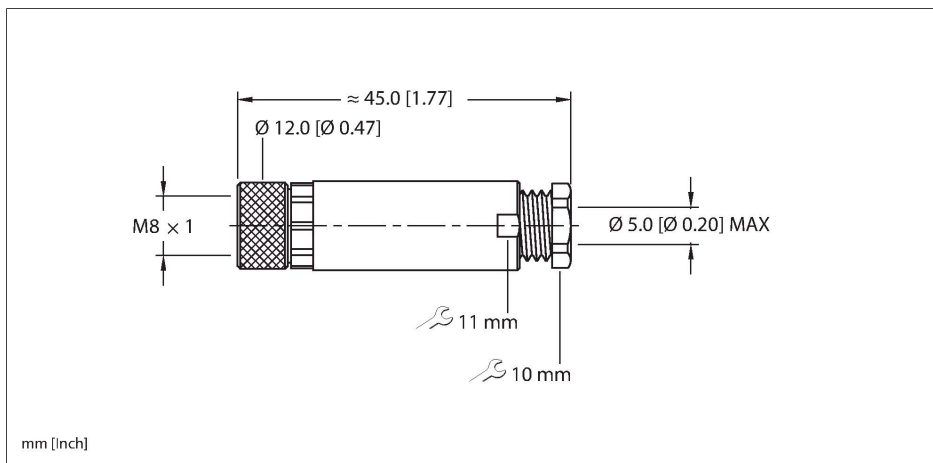


B 5133-0

Actuator and Sensor Field Wireable – M8 × 1 Female Connector, Straight



Features



- 3 Pins
- Screw terminal Wire Termination
- Plastic Housing
- Screw terminal Wire Termination

Contact assignment



Technical data

Type	B 5133-0
ID	U0879-54
Connector A	Female, M8 × 1, Straight
Design specification	Acc. to IEC 61076-2-104
Number of contacts	3
Contacts	Brass, CuZn, Gold-plated
Connector body	Plastic, PBT, Black
Coupling nut	Brass, CuZn, Nickel-plated
Connector seal	O-ring, Plastic, FKM/FPM
Tightening torque (range)	0.4 ... 0.8 Nm
Acceptable cable diameter	3...5 mm
Core cross-section/Clamping ability	22 mm ²
Connection mode	Screw/clamp connection
Mechanical life	> 100 Mating cycles
Pollution degree	3
Protection class (When coupled)	IP67
	NEMA: 1, 3, 4, 6P
Conductor size	22 AWG [Similar to 0.34 mm ²]
Electrical properties at +20 °C	
Rated voltage	60 V _{AC} /75 V _{DC}
Current	4 A
Mechanical and chemical properties	
Ambient temperature range (static)	-40 °C...+85 °C

Technical data

Approvals

RoHS

Note

- We reserve the right to make technical alterations without prior notice.