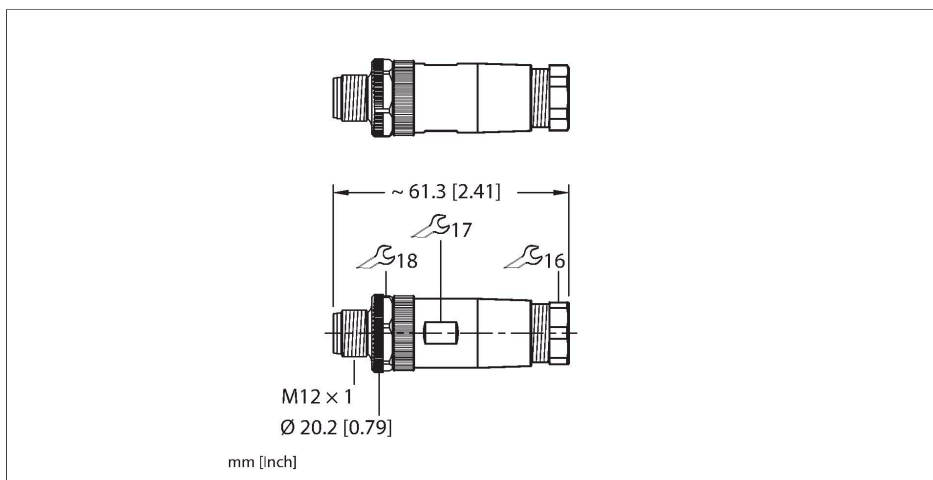


# BS 8181-0

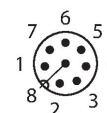
## Actuator and Sensor Field Wireable – M12 Connection



### Features

- 
- PG9 screw-in thread
- Cable feedthrough 6.0...8.0 mm
- M12, Male, Straight, 8-pin
- Screw terminal Wire Termination
- Plastic housing
- Die-cast Zinc coupling nut
- UL approval

### Contact assignment



### Technical data

Type	BS 8181-0
ID	U0885-25
Connector A	Male, M12 × 1, Straight, A-code
Number of contacts	8
Contacts	Brass, CuZn, Optalloy Coating
Contact carriers	Plastic, PA, Black
Connector body	Plastic, PA, Black
Coupling nut	Die-cast Zinc, GD-Zn, Nickel-plated
Core cross-section/Clamping ability	0.14...0.75 mm <sup>2</sup>
Core cross-section/terminal capacity	26...18 AWG
Connection mode	Screw/clamp connection
Mechanical life	> 50 Mating cycles
Pollution degree	3
Protection class (When coupled)	IP67, (screwed together)
<b>Cable data</b>	
<b>Electrical properties at +20 °C</b>	
Rated voltage	60 V
Current	2 A
<b>Mechanical and chemical properties</b>	
Ambient temperature range (static)	-40...+85 °C
Approvals	UL Recognized CE RoHS

## Technical data

### Note

- We reserve the right to make technical alterations without prior notice.

---