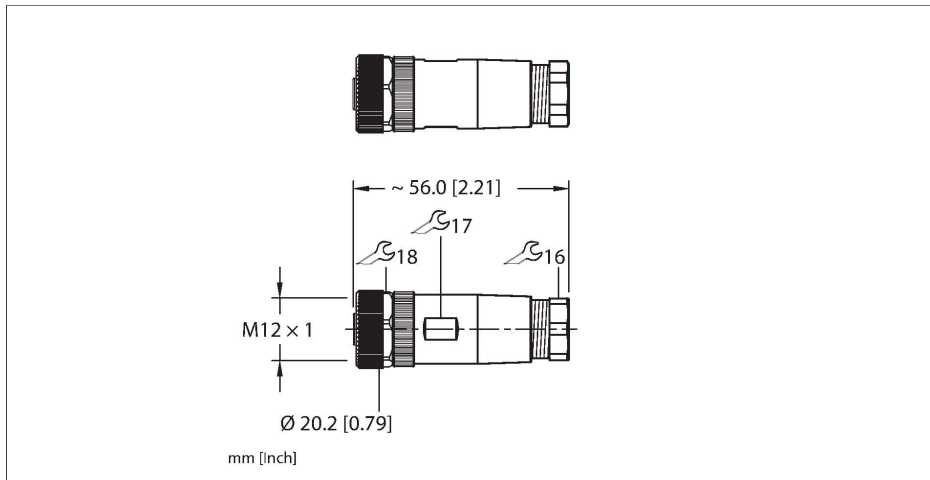


B 8181-0

Actuator and Sensor Field Wireable – M12 Connection

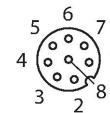


Features



- PG9 screw-in thread
- Cable feedthrough 6.0...8.0 mm
- M12, Female, Straight, 8-pin
- Screw terminal Wire Termination
- Plastic housing
- Die-cast Zinc coupling nut
- UL approval

Contact assignment



Technical data

Type	B 8181-0
ID	U0885-26
Connector A	Female, M12 × 1, Straight, A-code
Number of contacts	8
Contacts	Brass, CuZn, Optalloy Coating
Contact carriers	Plastic, PA, Black
Connector body	Plastic, PA, Black
Coupling nut	Die-cast Zinc, GD-Zn, Nickel-plated
Core cross-section/Clamping ability	0.14...0.75 mm ²
Core cross-section/terminal capacity	26...18 AWG
Connection mode	Screw/clamp connection
Mechanical life	> 50 Mating cycles
Pollution degree	3
Protection class (When coupled)	IP67, (screwed together)
Electrical properties at +20 °C	
Rated voltage	60 V
Current	2 A
Mechanical and chemical properties	
Ambient temperature range (static)	-40...+85 °C
Approvals	UL Recognized CE RoHS

Technical data

Note

- We reserve the right to make technical alterations without prior notice.
