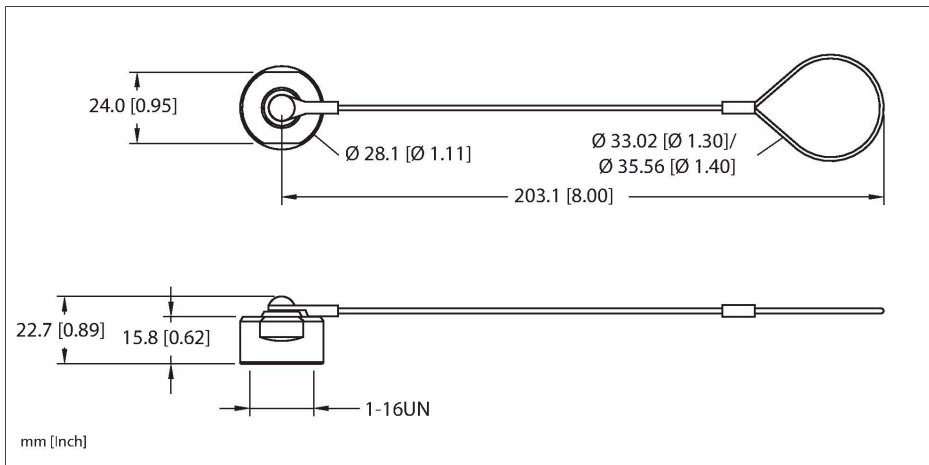


RKMBV-CC

Closure Cap for 1-16UN – Accessories for Connectors

Threaded hand tighten + lanyard



Features

- Female 1" minifast Closure Cap
- Mates to Male
- Nitrile Gasket
- Stainless Steel/Nylon Coated Lanyard

Technische Daten

Type	RKMBV-CC
ID	U0923-12
Connector A	Female, 1"-16 UN
Coupling nut	Stainless Steel, Passivated
Note	

- We reserve the right to make technical alterations without prior notice.