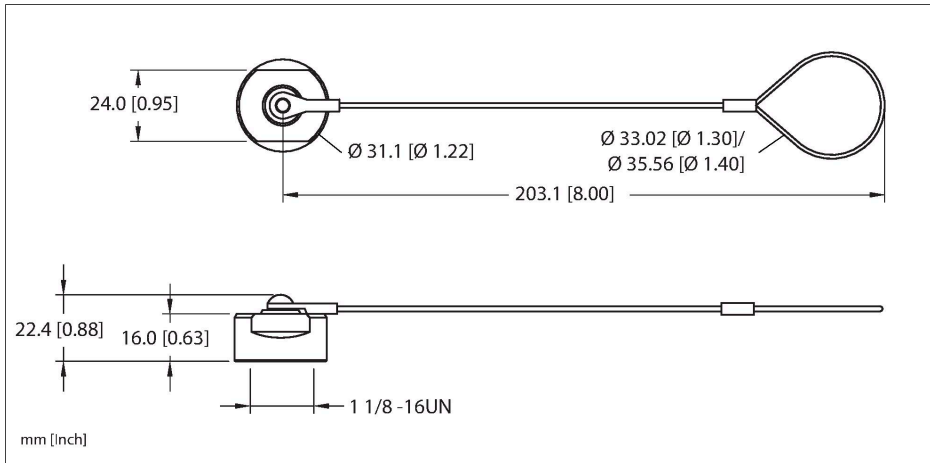


# RKMCV-CC

## Accessory for 1-1/8 – Closure cap Threaded hand tighten + lanyard



### Technical data

Type	RKMCV-CC
ID	U0923-22
Connector A	Female, 1 1/8"-16 UN
Coupling nut	Stainless Steel, 316 (1.4404), Passivated
Note	

- We reserve the right to make technical alterations without prior notice.

### Features

- Mates to Male
- Nitrile Gasket
- Stainless Steel/Nylon Coated Lanyard
- Female 1-1/8" minifast Closure Cap