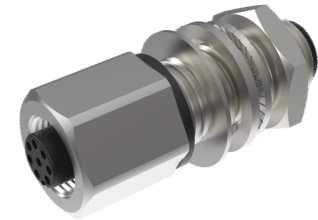
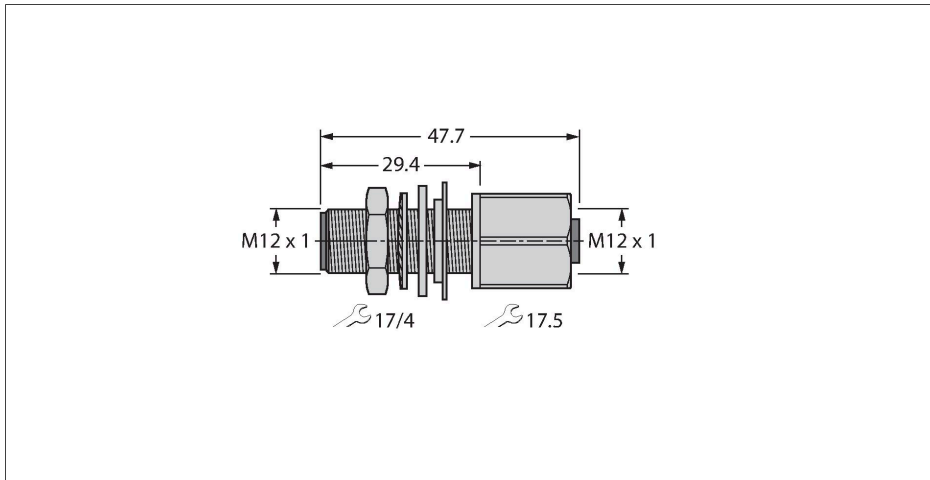


# FK FS 8/M12

## Actuator and Sensor Receptacle – Panel Feed-through Rear Mount



### Technische Daten

Type	FK FS 8/M12
ID	U1135-3
Connector A	Female, M12 × 1, A-code
Number of contacts	8
Contacts	Brass, CuZn, Gold-plated
Contact carriers	Plastic, TPU, Black
Connector seal	O-ring, Plastic, FKM/FPM
Housing material/finish	Brass, CuZn, Nickel-plated
Tightening torque (range)	0.4 ... 1.8 Nm (note max. torque of mating connector!)
Mounting orientation	Front mount
Panel seal	Gasket, Plastic, NBR
Mounting thread	M12 × 1
Locknut	Brass, CuZn, Nickel-plated
Receptacle mounting torque	2.5...6.8 Nm
Mechanical life	> 100 Mating cycles
Pollution degree	3
Protection class (When coupled)	IP68, (screwed together) NEMA: 1, 3, 4, 6P
Connector B	Male, M12 × 1
Number of contacts	8
Contacts	Brass, CuZn, Gold-plated
Contact carriers	Plastic, Nylon or TPU, Black

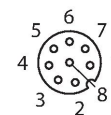
### Features



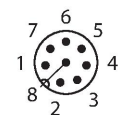
- Voltage: 150V
- Current: 4A
- Temperature: -40...+80°C
- IEC IP68; NEMA 1, 3, 4, 6P
- Approvals: UL, CSA
- M12, Female, Receptacle, 8-pin
- Mounting thread: M12 × 1
- M12, Male, Receptacle, 8-pin

### Contact assignment

Connector A



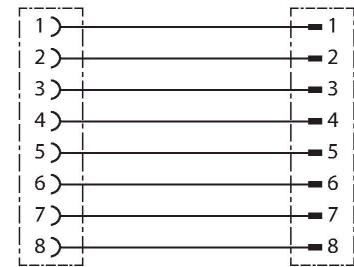
Connector B



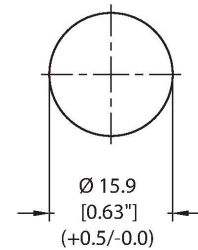
## Technische Daten

Tightening torque	0.4 ... 1.8 Nm
Mechanical life	> 100 Mating cycles
Pollution degree	3
Protection class (When coupled)	IP68
	NEMA: 1, 3, 4, 6P
<b>Electrical properties at +20 °C</b>	
Rated voltage	36 V
Current	1.5 A
<b>Mechanical and chemical properties</b>	
Ambient temperature range (static)	-40...+80 °C
Approvals	UL Listed UL 2238 CE RoHS
<b>Note</b>	
	- We reserve the right to make technical alterations without prior notice.

## Circuit Diagram



## Mounting hole - Through



## Rear-mounted

