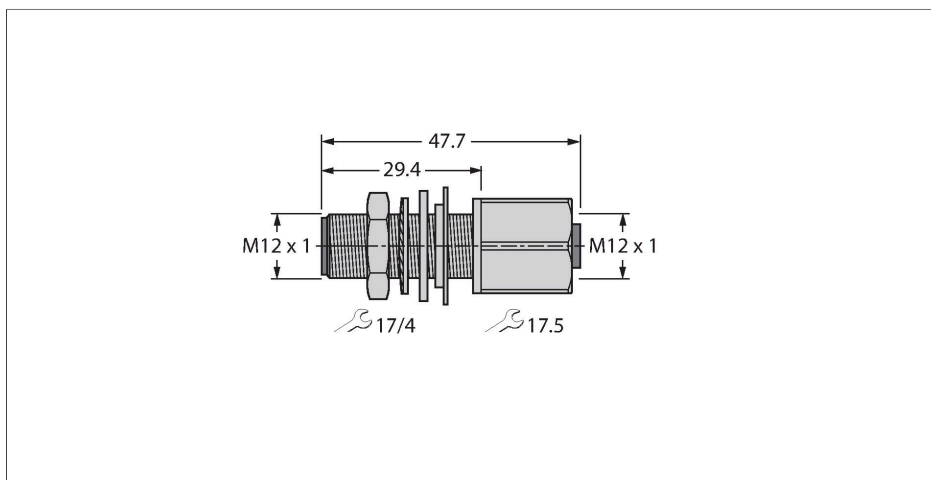


# FK FS 4.5/M12

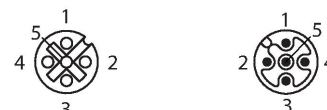
## Accessories for Fieldbus Systems – Wall Feedthrough



### Features

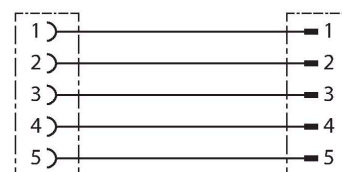
- Wall feedthrough, M12 × 1, 5-pin
- Male to female
- Voltage: 150 V
- Ampacity: 4 A
- Temperature range: -40...+80°C
- IEC IP68; NEMA 1, 3, 4, 6P
- Approvals: UL, CSA

### Contact assignment



### Pin Assignment

### Circuit Diagram



### Technical data

Type	FK FS 4.5/M12
ID no.	U1135
Connector A	Male, M12 × 1, Straight
Number of Pins	5
Contacts	Metal, CuZn, Gold-plated
Contact carriers	Plastic, TPU, Yellow
Connector body	Metal, CuZn
Housing material/finish	Brass, CuZn, Nickel-plated
Mounting thread	M12 × 1
Pollution degree	3
Protection class (When coupled)	IP68, (screwed together)
	NEMA: 1, 3, 4, 6P
Connector B	Female, Straight
Electrical properties at +20 °C	
Rated voltage	150 V
Current	4 A
Insulation resistance	≥ 10 <sup>8</sup> Ω
forward resistance	≤ 5 mΩ
Ambient temperature range (static)	-40 °C...+80 °C